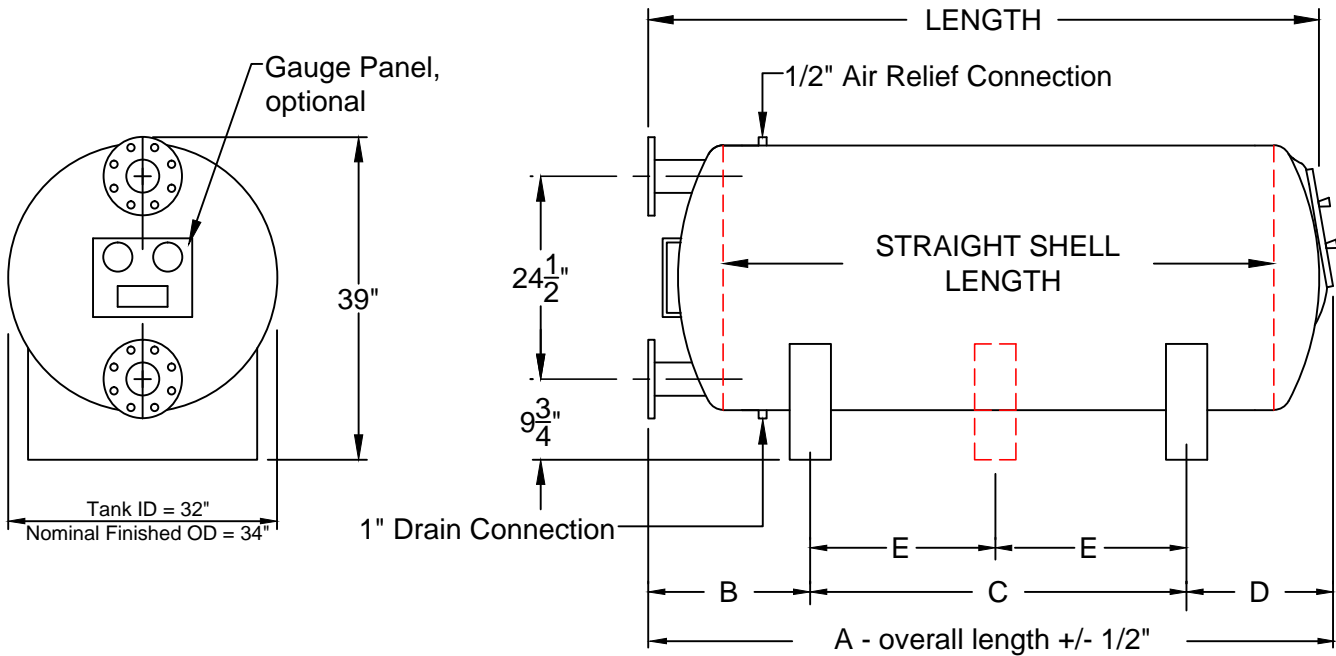


MERMADE®

Commercial Sand Filter Systems Models 132-52, 132-64, 132-74, 132-94, 132-114



Saddle Footprint = 5" wide x 28" long

SAND FILTER MODEL	LENGTH "A"	FACE PIPING DIAMETER	# OF INLET LATERALS	STRAIGHT SHELL	FILTER AREA SQ. FT.	B	C	D	E
132-52	58"	4"	4	38"	10	20"	22"	16"	X
132-64	69"	4"	4	50"	12.6	20"	34"	15"	X
132-74	82"	4"	4	65"	15.9	20"	45"	17"	X
132-94	99"	4"	6	80"	19.3	20"	62"	17"	X
132-114	119"	4"	10	94"	23.7	20"	X	17"	41"

BAGS OF 100 LB. FILTER MEDIA REQUIRED

FILTER MEDIA	132-52	132-64	132-74	132-94	132-114
BOTTOM LAYER 1/4" X 1/2" STONE	1.5	1.75	2	2.5	3.5
SECOND LAYER 1/8" X 1/4" STONE	1.75	2	3	3.5	4
THIRD LAYER SAND 6-20/ 1.0-1.2 mm/ GP#2	2.25	3	3.5	4.5	5.25
TOP LAYER SAND 20-30 / 0.45-0.55 mm	7.5	9.5	12	14	17.5
TOTAL BAGS	13	16.25	20.5	24.5	30.5

MER-MADE FILTER

11746 CHARLESTON-AUGUSTA ROAD - P.O. BOX 306 - DENMARK, SC 29042
P: 803-793-4265 F: 803-793-4332 WEBSITE: www.mer-made.com