



132 Series Sand Filter

Operation & Maintenance Guide



Certified to
NSF/ANSI Standard 50

R:9/14/1818

INSTALLATION INSTRUCTIONS

The filter shall be installed, plumb and level. Run water in tank for leveling each layer of filter media except top layer of fine sand. This layer of fine sand can be leveled sufficiently with a long handled rake. Fine sand comes slightly above manhole opening. Leave enough sand near opening to fill the top layer out after manhole cover has been installed. The first time the filter is backwashed, the top of the sand will become level.

Close manway cover by tightening the manhole knobs down on the manway yokes. The manway gasket is aided in sealing tightly by the pressure in the tank. During start-up the gasket may leak slightly but it should come to a tight seal once operating pressure is reached. After reaching operating pressure tighten the manway knobs again to insure a seal through subsequent shut-downs. If the manway gasket leaks at operating pressure, gradually close the valve on the filter effluent flange (or any valve in the line after the filter) to increase the pressure in the filter tank. This excess pressure in the filter tank will aid in final sealing of the manway gasket. Again, hand tighten the knobs of the manway yokes after reaching the highest pressure obtainable.

OPERATING INSTRUCTIONS

Install all face piping including valves, pressure gauges, sight glass, and circulating pump as shown on drawings, single and dual tank systems (see pages 3 and 4). To allow venting of air from the tanks during start-up and operation, the air relief connections on the front and top of the tank should be piped to a low pressure point in the filter system or to a waste line. Piping this to a surge tank or gutter line will save this water which is chemically treated and filtered. We suggest this line be rigid PVC or flexible tubing. A manual shut-off valve should be mounted on each tank. This valve should be open during operation, closed on shut-down. Automatic air relief valves are also available for air venting.

FILTERS SHOULD BE BACKWASHED WHEN THE FILTER PRESSURE DIFFERENTIAL EXCEEDS 10 - 12 PSI.

FILTER CYCLE:

Open valves V1 and V3 and close valves V2 and V4. Start pump.

Shut off pump, close valves V1 and V3 and open valve V2. Start pump and open valve V4 slowly. The time from start to full open should be at least 3.0 seconds. Do not exceed backwash flow rate shown on tank data plate. Continue BAC shing until sigh flow indicator shows clear. This should be approximately five (5) minutes. At completion of backwash, shut off pump and allow filter beds to settle three (3) minutes before starting pump on filter cycle.

THREE OR MORE TANK SYSTEMS

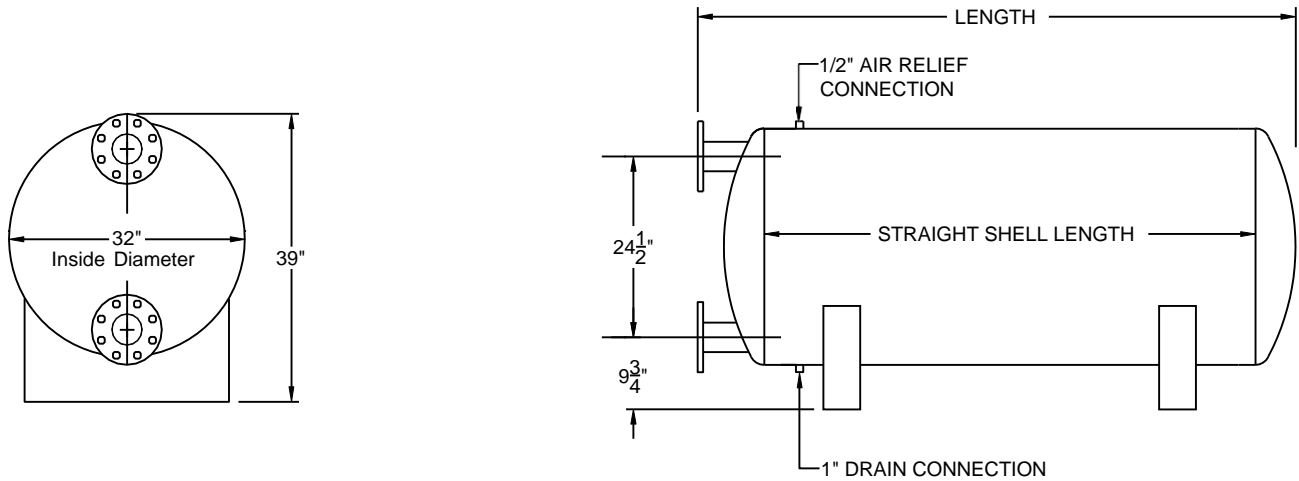
Generally, some form of backwash flow rate control is required on multiple tank systems to limit backwash flow to that required for one tank. Tanks are backwashed one at a time, in sequence, according to the above procedure. Attempts to backwash all tanks simultaneously will result in excessive water flowing through the first tank, resulting in disruption of the sand bed and filter failure. It is not possible to write instructions for the numerous multiple tank configurations that can be designed. We suggest a piping layout be sent to our office for comments prior to installation.

Mer-Made Filter

High Rate Sand Filter

Overall Dimensional Data

Models 132-52, 132-64, 132-74, 132-94, 132-114

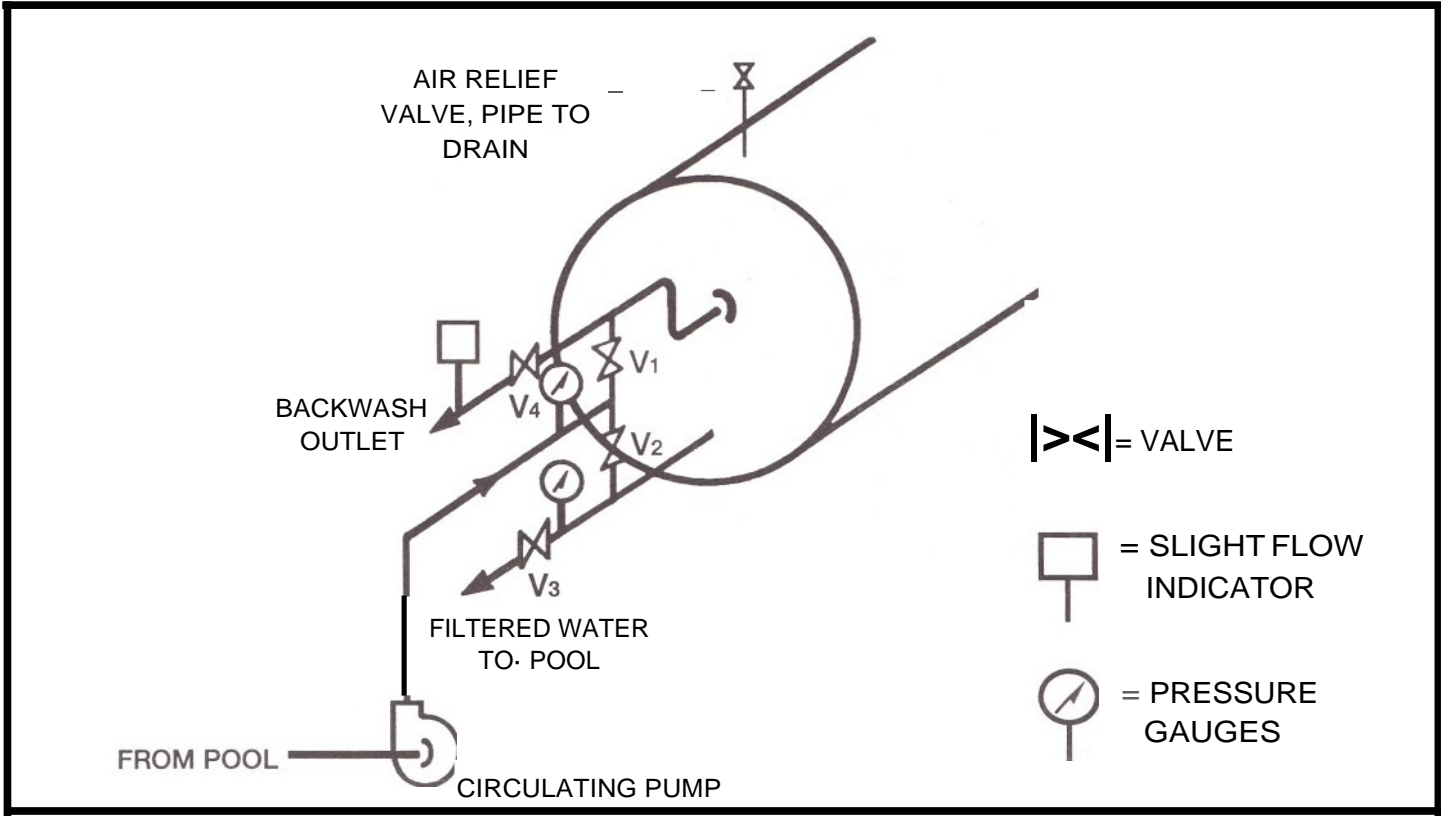


SAND FILTER MODEL	LENGTH OF TANK	FACE PIPING DIAMETER	#OF INLET LATERAL ASSEMBLIES	TANK STRAIGHT SHELL LENGTH	FILTER AREA IN SQ. FT.
132-52	58"	4"	4	38"	10
132-64	69"	4"	4	50"	12.6
132-74	82"	4"	4	65"	15.9
132-94	99"	4"	6	80"	19.3
132-114	119"	4"	10	94"	23.7

FILTER MEDIA	BAGS OF 100 LB. FILTER MEDIA REQUIRED				
	MODEL 132-52	MODEL 132-64	MODEL 132-74	MODEL 132-94	MODEL 132-114
BOTTOM LAYER 1/4" X 1/2" STONE	1.5	2	2	3	3.5
SECOND LAYER 1/8" X 1/4" STONE	2	2	3	3.5	4.5
THIRD LAYER 6-20 SAND	3	4	5	6	7
TOP LAYER 20-30 SAND	6.5	8.5	10	13	15.5
TOTAL BAGS	13	16.5	20	25.5	30.5

SINGLE TANK

HIGH RATE SAND FILTER



FILTER OPERATION:

STEPS	FLOW	VALVE POSITION				TIME
		V1	V2	V3	V4	
FILTER	* 5-14 GPM/F ²	0	C	0	C	-
BACKWASH	* 15 GPM/F ²	C	0	C	0	APPROX. 3 MIN.

HYDRAULIC DATA:

FILTER MODEL	FILTER AREA SQ. FT.	BACKWASH RATE GPM
132-52	10	150
132-64	12.6	189
132-74	15.9	239
132-94	19.3	290
132-114	23.7	356

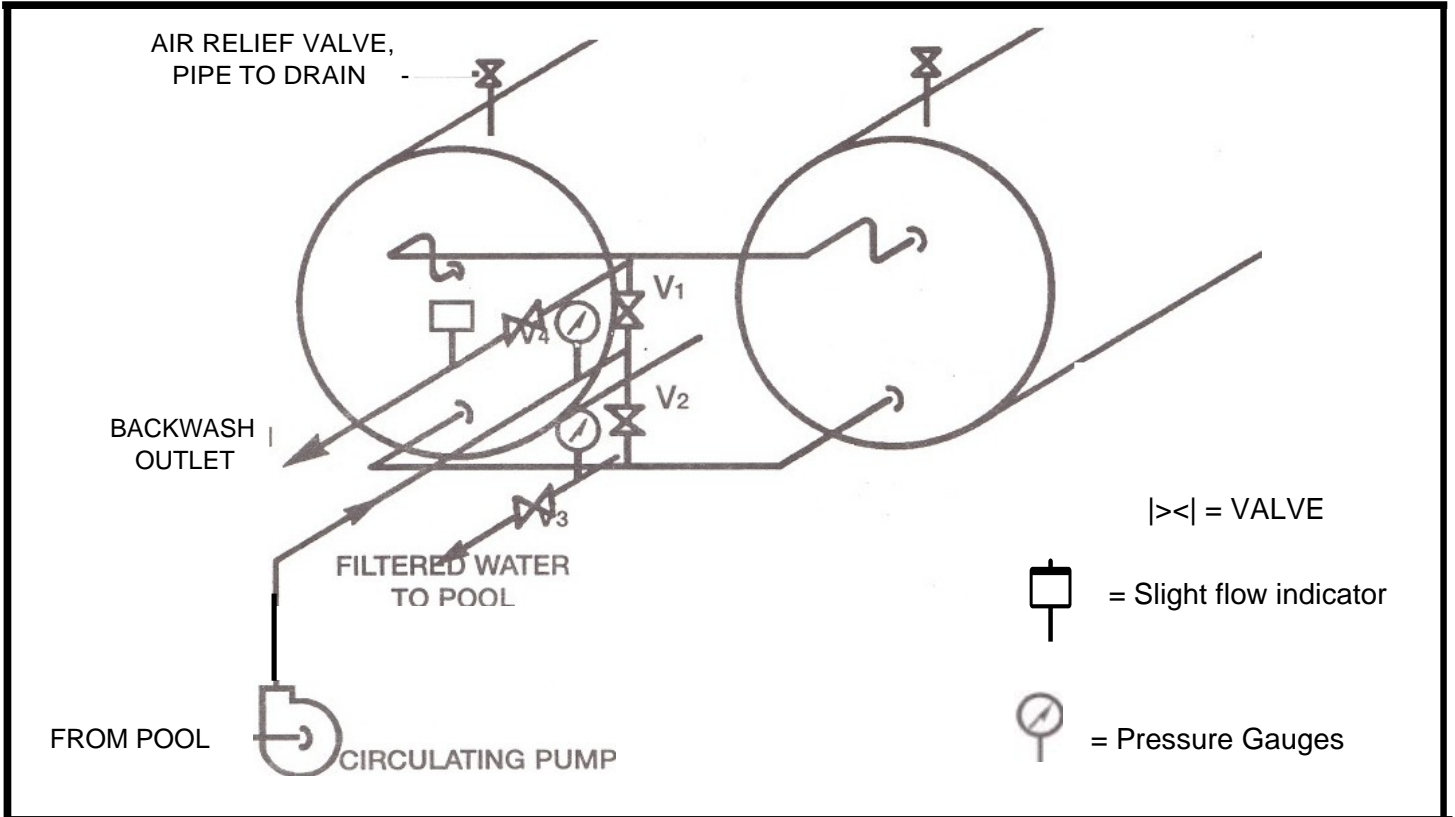
* MULTIPLY BY FILTER RATED AREA FOR FLOW IN GPM

0 = VALVE OPEN

C = VALVE CLOSED

DOUBLE TANK

HIGH RATE SAND FILTER



FILTER OPERATION:

HYDRAULIC DATA:

STEPS	FLOW	VALVE POSITION				TIME
		V1	V2	V3	V4	
FILTER	* 5-14 GPM/Ff	0	.C	0	C	-
BACKWASH	* 15 GPM/Fr	C	0	C	0	APPROX. 3 MIN.

FILTER MODEL	FILTER AREA SQ. FT.	BACKWASH RATE GPM
132-52	20	300
132-64	25.2	378
132-74	31.8	477
132-94	38.6	580
132-114	47.4	712

* MULTIPLY BY TOTAL FILTER RATED AREA FOR FLOW IN GPM
(TOTAL FILTER AREA = 2 X TANK AREA)

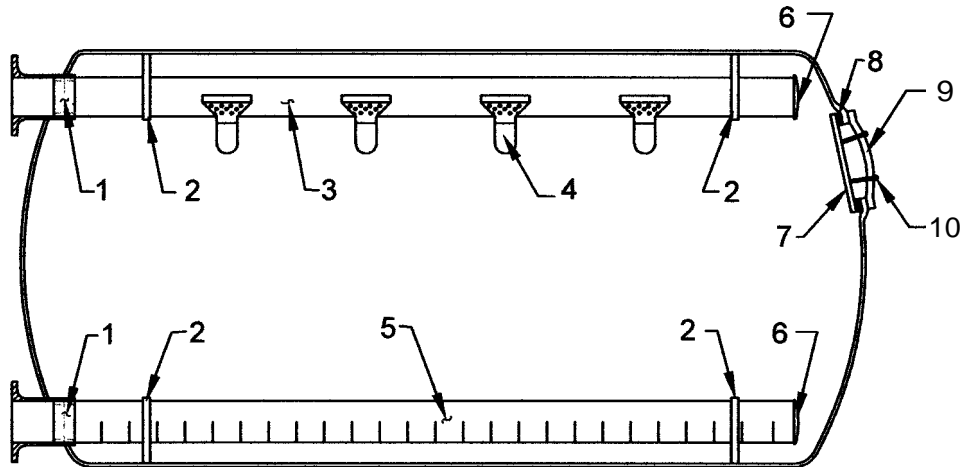
0 = VALVE OPEN

C = VALVE CLOSED

Mer-Made Filter

High Rate Sand Filter

Internal Assembly Drawing & Parts List Models 132-52, 132-64, 132-74, 132-94, 132-114



PARTS LIST

- | | |
|--------------------------------|----------------------------|
| 1. 4" PVC COUPLING, SCH. 40 | 6. 4" PVC ENDCAP |
| 2. STAINLESS STEEL CLAMP | 7. 14" X 18" MANHOLE COVER |
| 3. 4" PVC INLET PIPE, SCH.40 | 8. MANHOLE COVER GASKET |
| 4. PVC INLET LATERALASSEMBLY | 9. MANHOLE YOKE |
| 5. 4" PVC UNDERDRAIN COLLECTOR | 10. SS STUD ANDNUT |

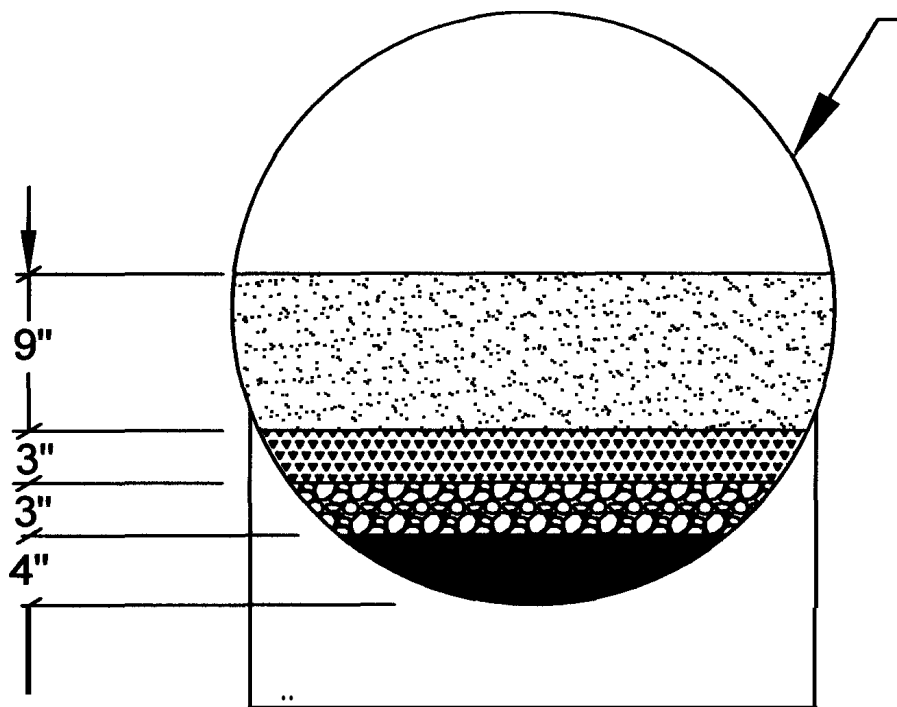
BAGS OF 100 LB. FILTER MEDIA REQUIRED

FILTER MEDIA	MODEL 132-5_2	MODEL 132-64	MODEL 132-74	MODEL 132-94	MODEL 132-114
BOTTOM LAYER 1/4" X 1/2" STONE	1.5	1.75	2	2.5	3.5
SECOND LAYER 1/8" X 1/4" STONE	1.75	2	3	3.5	4
THIRD LAYER 1.0-1.2 MM SAND	2.25	3	3.5	4.5	5.25
TOP LAYER 0.45 - 0.55 MM SAND	7.5	9.5	12	14	17.5
TOTAL BAGS	13	16.25	20.5	24.5	30.5

High Rate Sand Filter

Sand Loading

Tank ID = 32.5"
Tank OD = 34"



FILTER MEDIA LOADING

LOCATION	DESCRIPTION	MEDIA SIZE
TOP LAYER	FILTER SAND	0.40-0.55 MM
THIRD LAYER	FILTER SAND	1.0-1.2 MM
SECOND LAYER	GRAVEL	1/8" X 1/4" STONE
BOTTOM LAYER	GRAVEL	1/4" X 1/2" STONE

TOP LAYER SAND IS TO BE SILURIAN POOL FILTER SAND BY US SILICA CORPORATION.

HEAD LOSS

MER-MADE FILTER

132 SERIES SAND FILTER

MODEL 132-52
MODEL 132-64
MODEL 132-74

MODEL 132-94
MODEL 132-114

