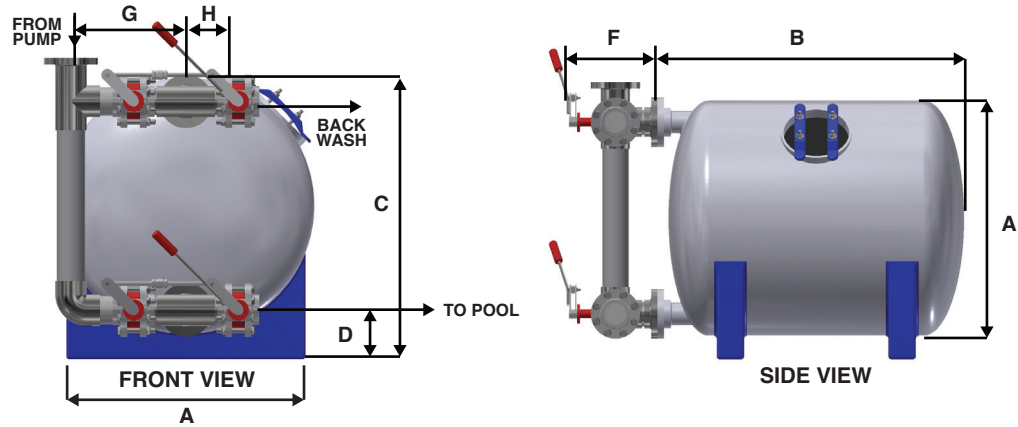


Single Tank

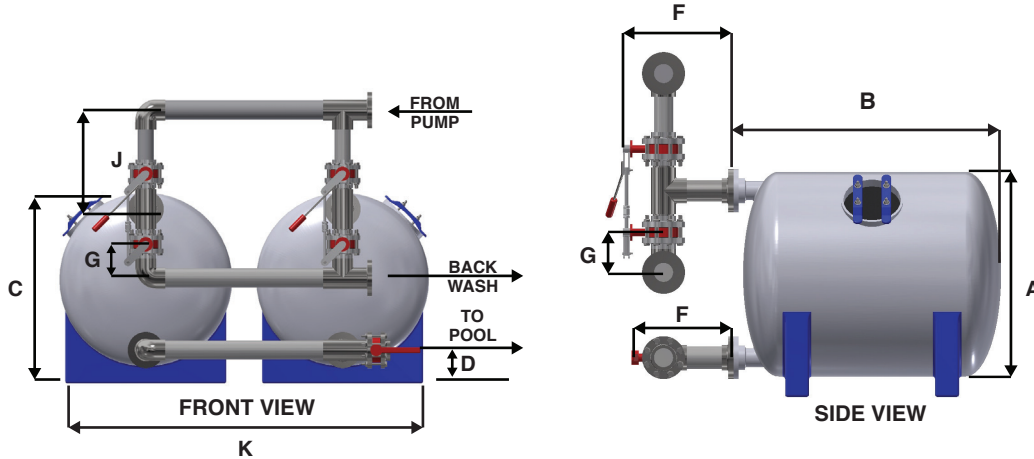
Face Piping Dimensions (inches)			
Face Piping Size (inches)			
Mark	4	6	8
F	17	20	24
G	22	28	37
H	6 1/8	8 1/8	10 3/8



Dual Tank Side By Side

Face Piping Dimensions (inches)						
Face Piping Size (inches)						
Mark	4x4	6x4	6x6	8x6	10x6	10x8
F	17	20	20	24	29	29
G	5.75	8	8	10	12	12
J	24	31.5	31.5	40	48.5	48.5

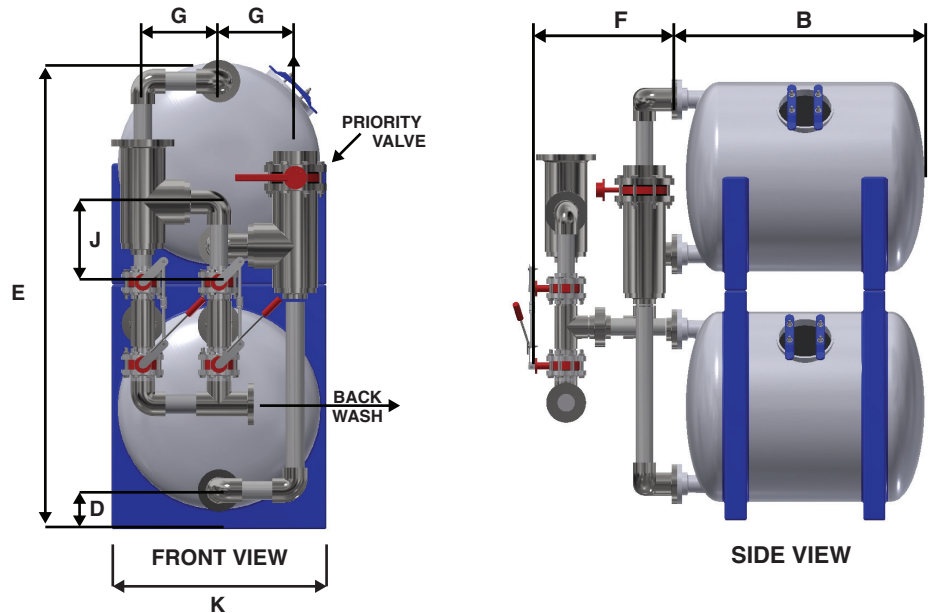
K		
132	143	160
74	94	131



Dual Tank Stacked

Face Piping Dimensions (inches)						
Face Piping Size (inches)						
Mark	4x4	6x4	6x6	8x6	10x6	10x8
F	24 1/2	31	41	41	41	54
G	21 1/2	26	30	33	39	42
J	8 1/2	13	13	17	21	21

K		
132	143	160
39	47.5	64.5



Certified to NSF/ANSI Standard 50

rev.4 4/07/2020

DIMENSION AND CAPACITY DATA

Filter Model Number	Tank Conn	Filter Area (SF)	Flow Capacity (GPM)	NSF verified Filter Rate	Tank Shipping	Operating Weight	All dimensions are in inches				
							A	B	C	D	E
132-52	4	10.0	140	14	350	2551	34	58	39	9.75	80
132-64	4	12.6	176	14	375	3101	34	69	39	9.75	80
132-74	4	15.9	223	14	400	3743	34	82	39	9.75	80
132-94	4	19.3	270	14	450	4518	34	99	39	9.75	80
132-114	4	23.7	332	14	500	5443	34	119	39	9.75	80
143-56	4	16.2	81-324	5-20	550	4409	44	62	53	12	101
143-71	4	20.8	104-416	5-20	600	5943	44	77	53	12	101
143-87	4	25.6	128-512	5-20	700	7027	44	94	53	12	101
143-105	6	31.0	155-620	5-20	800	8410	44	112	53	12	101
143-124	6	36.8	184-736	5-20	1100	10136	44	131	53	12	101
143-152	6	45.5	228-910	5-20	1250	12420	44	159	53	12	101
160-109	6	41.6	208-832	5-20	1750	17155	62.5	113	69.5	14.5	138
160-133	6	51.6	258-1032	5-20	2000	20890	62.5	137	69.5	14.5	138
160-157	8	61.6	308-1232	5-20	2200	24432	62.5	161	69.5	14.5	138
160-181	8	71.6	358-1432	5-20	2400	28117	62.5	185	69.5	14.5	138
160-205	8	81.6	408-1632	5-20	2650	31835	62.5	209	69.5	14.5	138

All weights in pounds

Filter Model Number	20-30 Sand	6-20 Sand	1/8 x 1/4 Stone	1/4 x 1/2 Stone
132-52	750	225	175	150
132-64	950	300	200	175
132-74	1200	350	300	200
132-94	1400	450	350	250
132-114	1750	525	400	350
143-56	1500	300	300	400
143-71	2000	500	500	500
143-87	2500	600	600	600
143-105	3000	700	700	700
143-124	3600	800	800	900
143-152	4500	1000	1000	1100
160-109	5300	1200	1000	1400
160-133	6500	1600	1300	1700
160-157	7700	1800	1500	1900
160-181	8900	2100	1800	2200
160-205	10100	2400	2000	2500

Note: Filters NSF approved with laterals, available upon request.
NSF Glass media also available upon request

Mer-Made filters are designed, built, and tested to exceed NSF/ANSI Standard 50 specifications for fiberglass pressure vessels with a safety factor of 4:1.

Customization of vessels beyond NSF certification parameters is available upon request.

Tank shipping weight includes manifold & internals.



Certified to NSF/ANSI Standard 50

rev.4 4/07/2020