

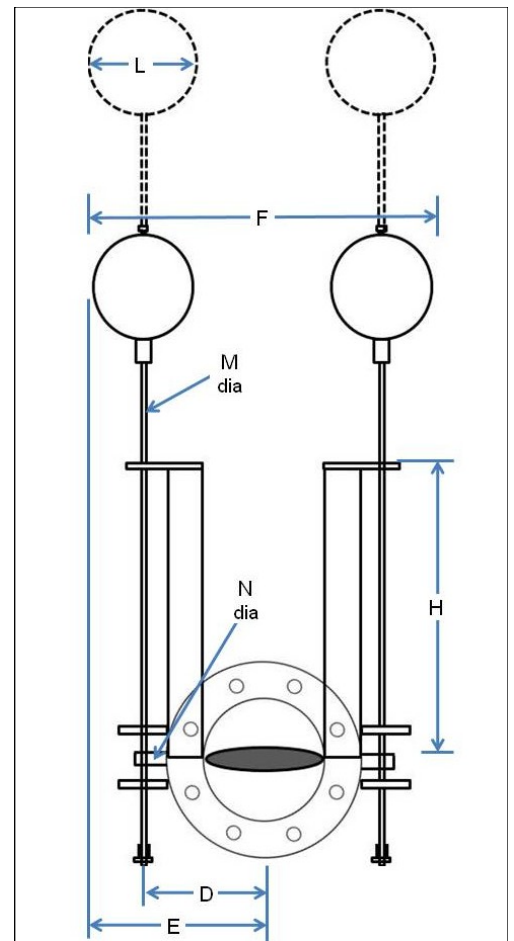
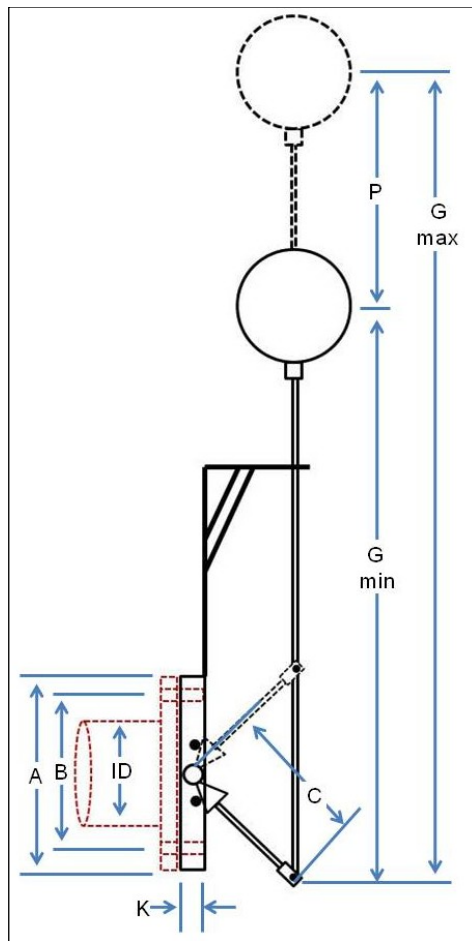
## FV-DP Float Valve Dual Arm - Single Float - Pivot

### MATERIAL

Valve body - corrosion grade Isophthalic Polyester  
 Valve disc - corrosion grade Isophthalic Polyester  
 Float Arm - Solid 316 SS  
 Valve shaft - Solid 316 SS  
 Hardware - 316 SS  
 Float Ball - polyethylene

### DESIGN

End of open pipe installation only  
 For 4" through 10" pipe only  
 Not for in line installation  
 Bolt pattern - ANSI 150  
 Float arm threaded 3/8" for float  
 Valve disc molded onto valve shaft  
 Approximately 20% flow when fully closed



ID	A	B	C	D	E	F	G min	G max	H	K	L	M	N	P
4"	9 1/2"	7 1/2"	8"	6 5/8"	10 1/8"	20 1/4"	36"	54"	26"	1"	8"	3/8"	1/2"	18"
6"	11 1/2"	9 1/2"	8"	7 5/8"	11 1/8"	22 1/4"	36"	54"	25 1/2"	1"	8"	3/8"	1/2"	18"
8"	14"	11 3/4"	8"	8 7/8"	12 3/8"	24 3/4"	36"	54"	25"	1 1/2"	8"	5/8"	3/4"	18"
10"	16 1/2"	14 1/4"	8"	9 7/8"	13 3/8"	26 3/4"	36"	54"	24 1/2"	1 1/2"	8"	5/8"	3/4"	18"

