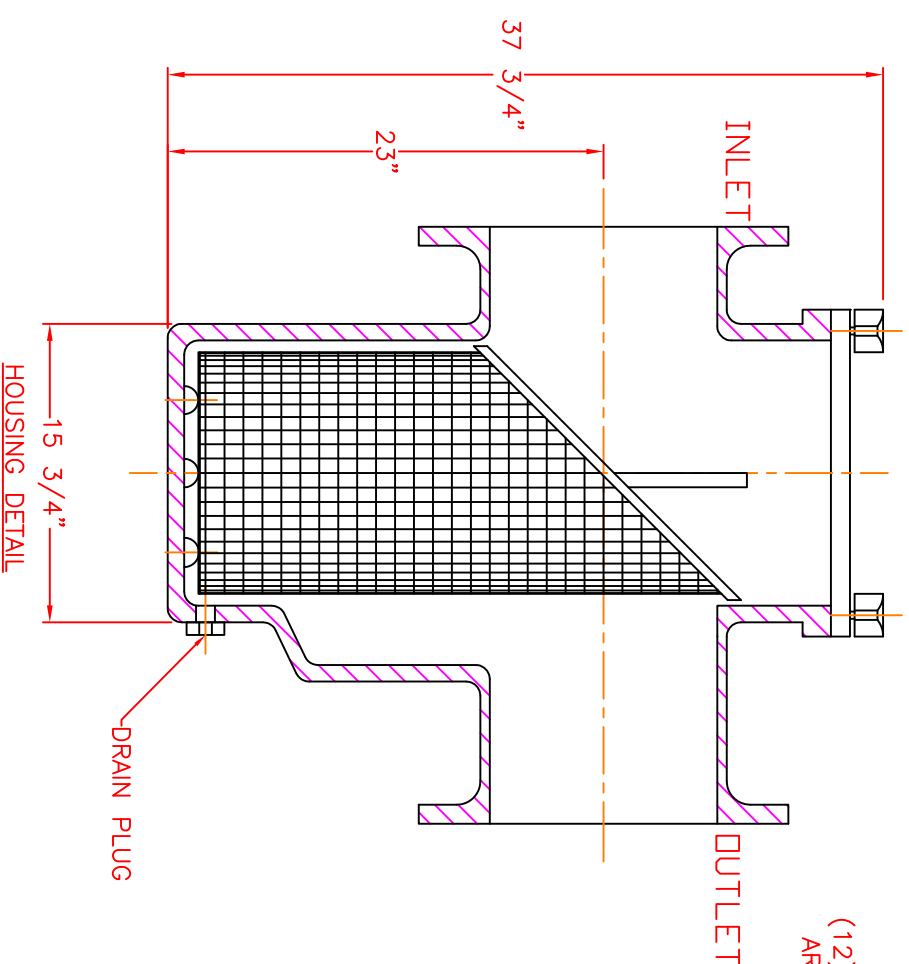
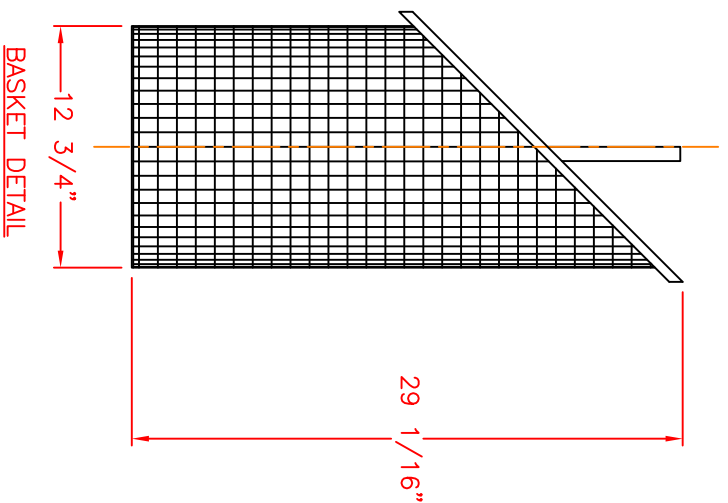
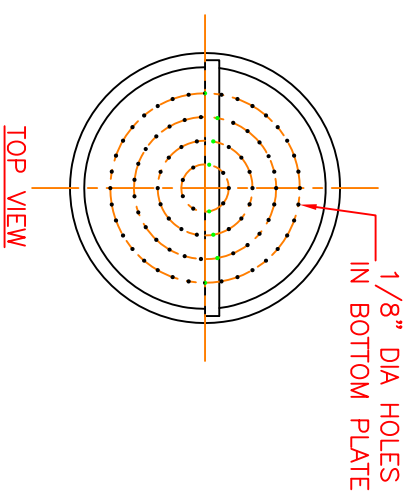
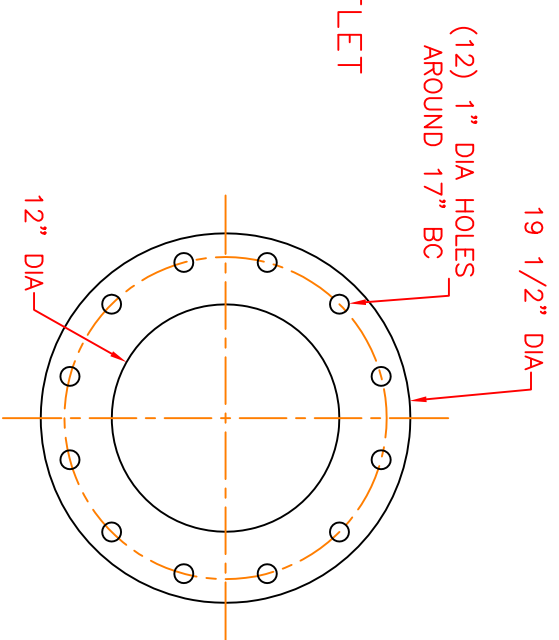
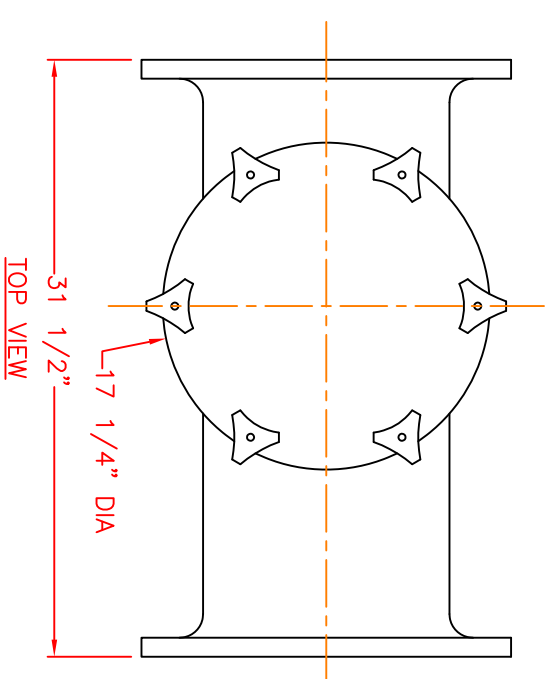


NOTES

1. STRAINER BODY: FIBERGLASS CONSTRUCTION USING ISOPHTHALIC POLYESTER RESIN AND A .100" THK. CORROSION LINER USING ONE LAYER CGLASS AND TWO LAYERS CHOPPED STRAND MAT.
2. LID: CLEAR ACRYLIC
3. TOGGLE BOLTS: STAINLESS STEEL
4. HAND KNOBS: ABS WITH BRASS INSERTS
5. O-RING: ETHYLENE PROPYLENE
6. BASKET: 316 STAINLESS STEEL WEDGE WIRE, 3/16" SQ. OPENING

-INLET AND OUTLET FLANGES SHALL HAVE 150# ANSI STANDARD DRILL PATTERNS



CERTIFIED FOR PRODUCTION

BY: _____ DATE: _____
MER-MADE, INC.

THIS DRAWING CONTAINS INFORMATION PROPRIETARY TO MER-MADE FILTER INCORPORATED. IT IS SLIGHTED IN CONFIDENCE AND IS TO BE USED SOLELY FOR THE PURPOSE FOR WHICH IT IS FURNISHED AND IS TO BE RETURNED UPON COMPLETION OF THE PROJECT. ANY REPRODUCTION OR USE OF THIS DRAWING FOR ANY OTHER PURPOSE WITHOUT THE WRITTEN AUTHORIZATION OF MER-MADE FILTER INCORPORATED.

TOLERANCES UNLESS OTHERWISE SPECIFIED

MACHINED DIMENSIONS:	FINISH: 125/
X.X ±.020	ANGLES: ±.2°
X.XX ±.010	RADI: ±.03
X.XXX ±.005	
FRACTIONAL DIMENSIONS:	
1/X ± 1/8	

REMOVE ALL BURRS AND BREAK ALL SHARP EDGES: .016 x 45°

REV	DESCRIPTION	DATE

MER-MADE

PO BOX 306
DENMARK, SC 29042
P:803-793-4263 F:803-793-4265

12" FO SERIES STRAINER

SIZE	DWN BY: SUV	DWG NO.	REV
B	CHK BY:	M-0099	R0
SCALE: NTS	DATE: 11/15/17	Sheet: 1 OF 1	