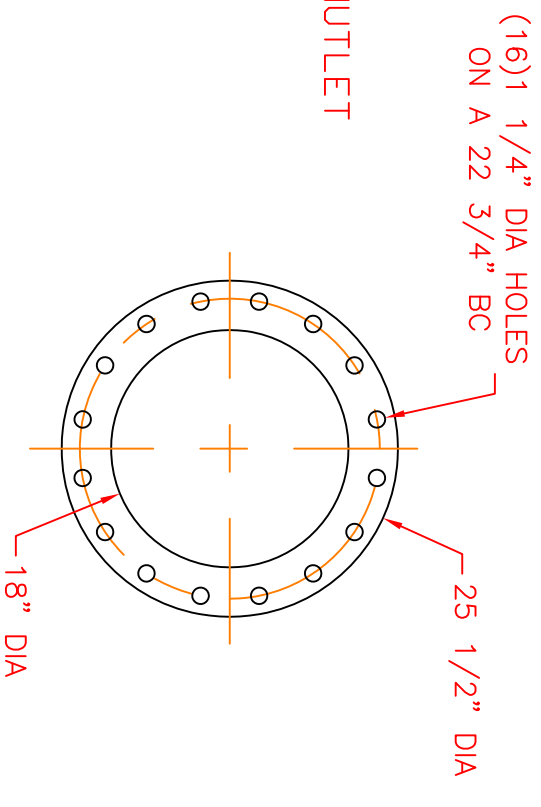
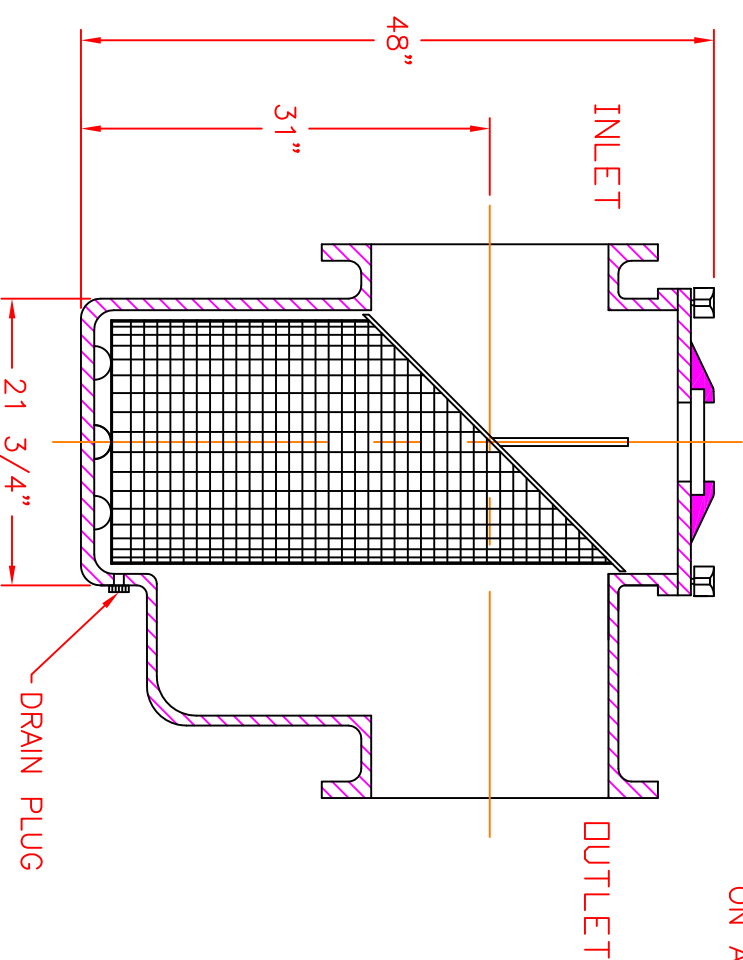
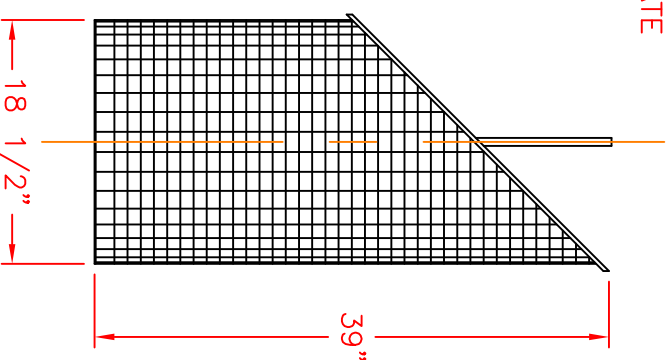
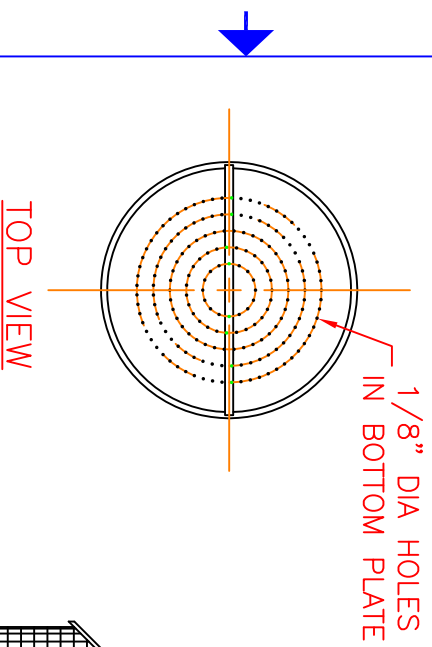
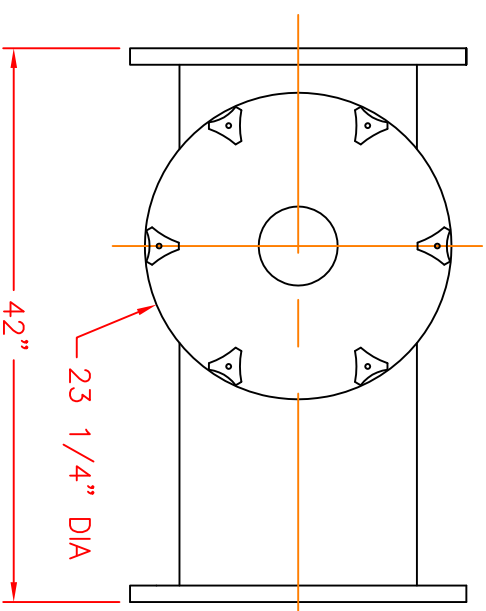


**NOTES**

1. STRAINER BODY: FIBERGLASS CONSTRUCTION USING ISOPHTHALIC POLYESTER RESIN AND A .100" THK. CORROSION LINER USING ONE LAYER C-GLASS AND TWO LAYERS CHOPPED STRAND MAT.
2. LID: FRP WITH ACRYLIC VIEWPORT
3. TOGGLE BOLTS: STAINLESS STEEL
4. HAND KNOBS: ABS WITH BRASS INSERTS
5. O-RING: ETHYLENE PROPYLENE
6. BASKET: 316 STAINLESS STEEL WEDGE WIRE, 3/16" SQ. OPENING

INLET AND OUTLET FLANGES SHALL HAVE 150# ANSI STANDARD DRILL PATTERNS.



CERTIFIED FOR PRODUCTION

BY: \_\_\_\_\_ DATE: \_\_\_\_\_

MER-MADE, INC.

THIS DRAWING CONTAINS INFORMATION PROPRIETARY TO MER-MADE INCORPORATED. IT IS SLANTED IN CONFIDENCE AND IS TO BE USED SOLELY FOR THE PURPOSE FOR WHICH IT IS FURNISHED AND IS TO BE RETURNED UPON COMPLETION OF THE WORK FOR WHICH IT WAS FURNISHED. NO REPRODUCTION, TRANSMISSION, DISCLOSURE OR USE OF THIS INFORMATION IN WHOLE OR IN PART WITHOUT THE WRITTEN AUTHORIZATION OF MER-MADE INCORPORATED.

TOLERANCES UNLESS OTHERWISE SPECIFIED

MACHINED DIMENSIONS:

X.X ±.020 FINISH: 125/  
X.XX ±.010 ANGLES: ±2°  
X.XXX ±.005 RADII: ±.03

FRACTIONAL DIMENSIONS:

1/X ± 1/8

REMOVE ALL BURRS AND BREAK ALL SHARP EDGES: .016 x 45°

REV	DESCRIPTION	DATE

**MER-MADE**

PO BOX 306  
DENMARK, SC 29042  
P:803-793-4263 F:803-793-4265

18" FO SERIES FRP BASKET  
STRAINER

SIZE: B  
DWN BY: WGM  
CHK BY: \_\_\_\_\_  
DWG NO. FO-18X18-STR  
REV: 1

SCALE: NTS  
DATE: 11/15/17  
Sheet: 1 OF 1