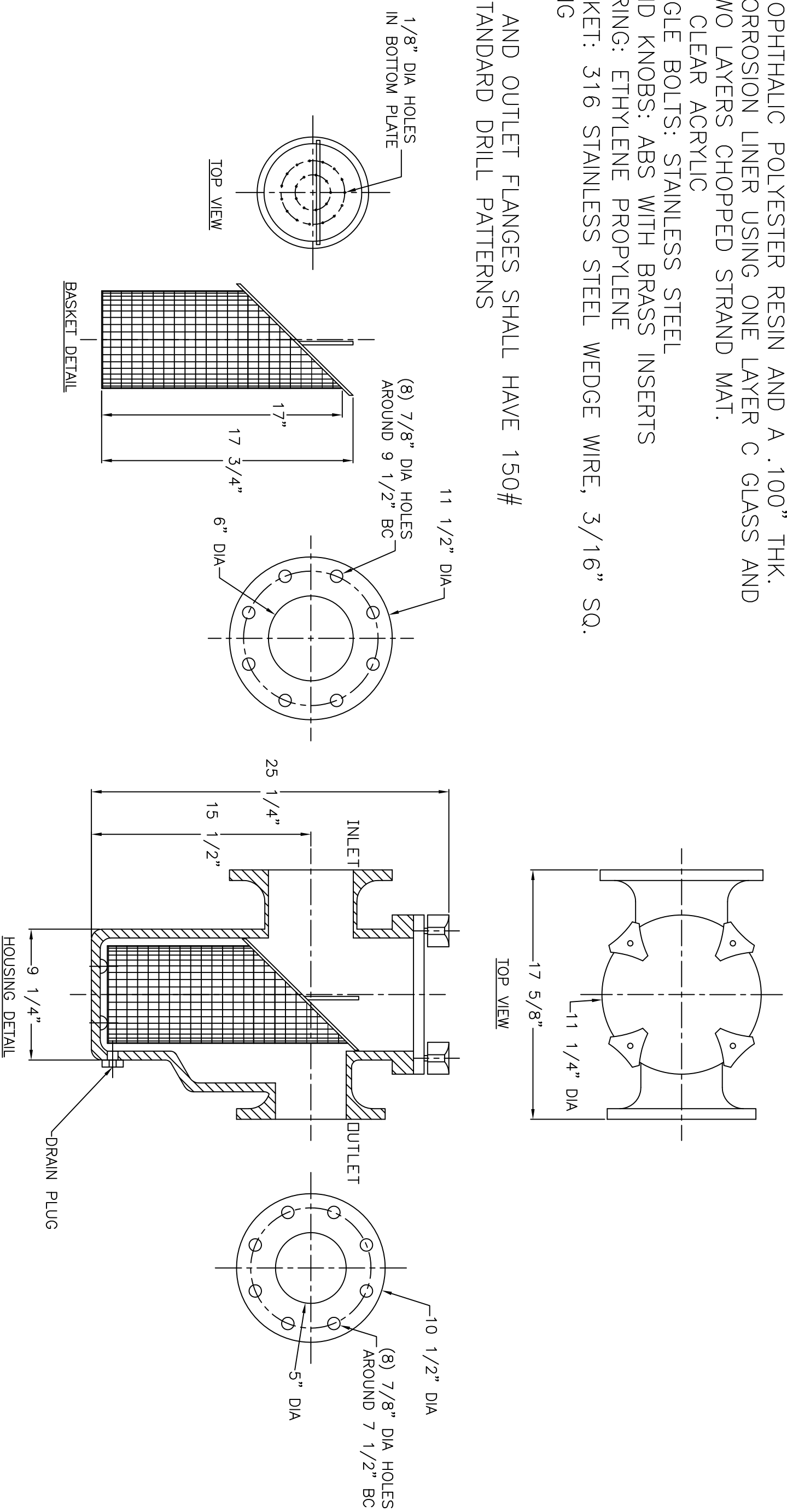


NOTES

- 1. STRAINER BODY: FIBERGLASS CONSTRUCTION USING ISOPHTHALIC POLYESTER RESIN AND A .100" THK. CORROSION LINER USING ONE LAYER C GLASS AND TWO LAYERS CHOPPED STRAND MAT.
- 2. LID: CLEAR ACRYLIC
- 3. TOGGLE BOLTS: STAINLESS STEEL
- 4. HAND KNOBS: ABS WITH BRASS INSERTS
- 5. O-RING: ETHYLENE PROPYLENE
- 6. BASKET: 316 STAINLESS STEEL WEDGE WIRE, 3/16" SQ. OPENING

-INLET AND OUTLET FLANGES SHALL HAVE 150# ANSI STANDARD DRILL PATTERNS



CERTIFIED FOR PRODUCTION

BY: _____ DATE: _____

MER-MADE, INC.

THIS DRAWING CONTAINS PROPRIETARY INFORMATION TO MER-MADE FILTER INCORPORATED. IT IS SLIGHTLY IN CONFIDENCE AND IS TO BE RETURNED UPON REQUEST. ANY REUSE OR REPRODUCTION OF THIS DRAWING WITHOUT THE WRITTEN AUTHORIZATION OF MER-MADE FILTER INCORPORATED.

TOLERANCES UNLESS OTHERWISE SPECIFIED
MACHINED DIMENSIONS:
X.X ±.020 FINISH: 125/
X.XX ±.010 ANGLES: ±Z
X.XXX ±.005 RADII: ±.03
FRACTIONAL DIMENSIONS:
1/X ± 1/8

REMOVE ALL BURRS AND BREAK ALL SHARP EDGES: .016 x 45°

REV	DESCRIPTION	DATE	SCALE	NTS	DATE	Sheet	OF	REV
			B	CHK BY:		11/13/17	1	RO
			B	DWN BY: SUV		11/13/17	1	

MER-MADE
PO BOX 306
DENMARK, SC 29042
P:803-793-4263 F:803-793-4265

6" X 5" STANDARD FO SERIES
REDUCING BASKET STRAINER

SIZE: B
DWN BY: SUV
CHK BY: M-0094

SCALE: NTS
DATE: 11/13/17
Sheet: 1 OF 1