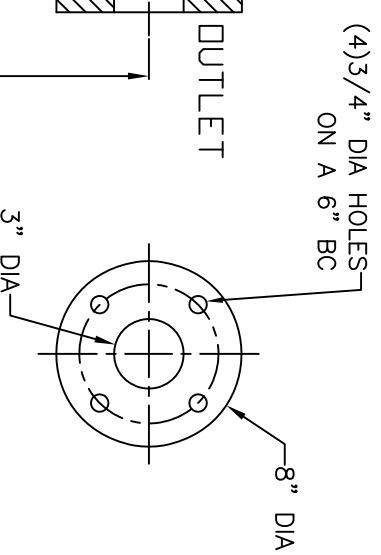
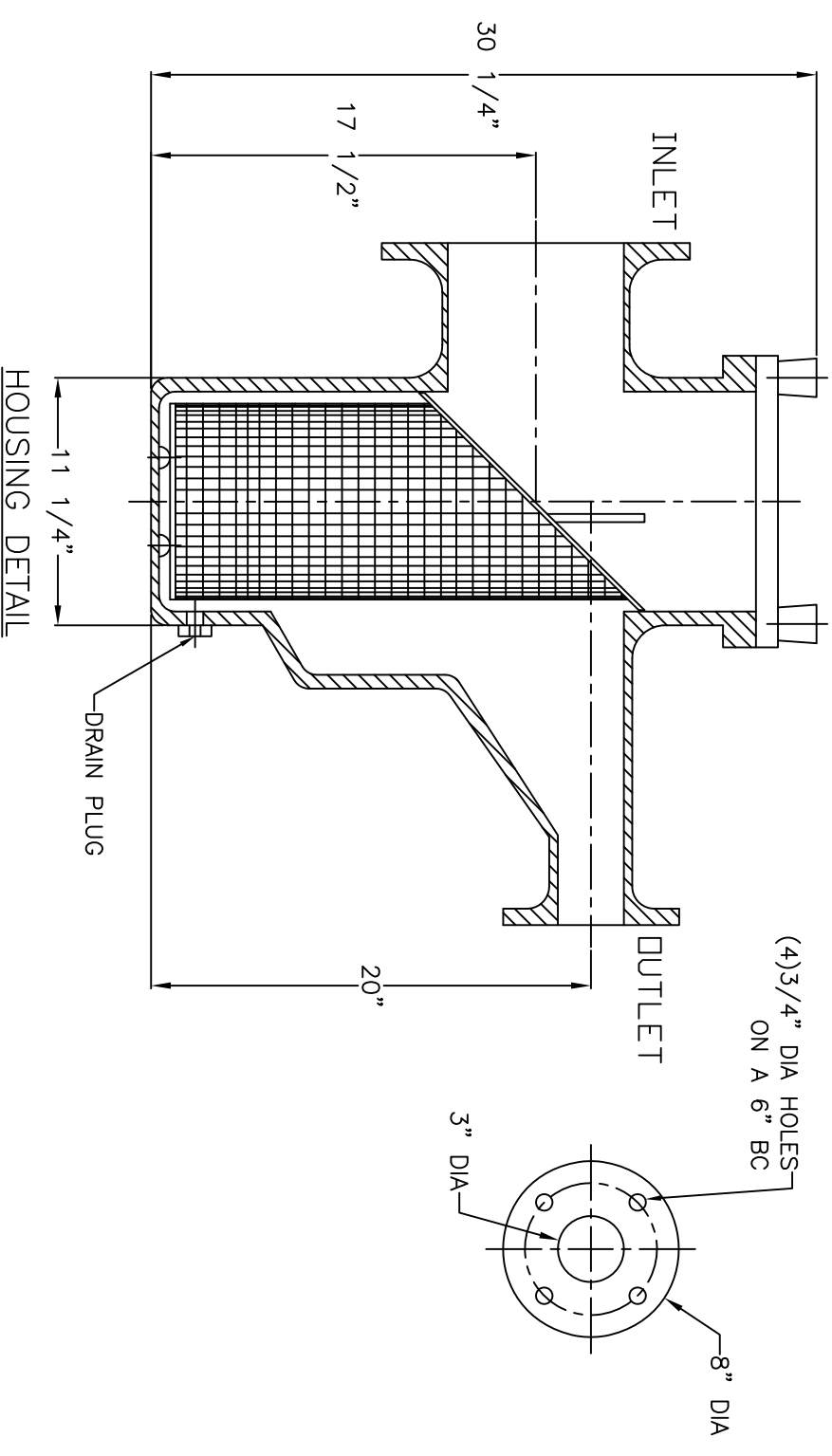
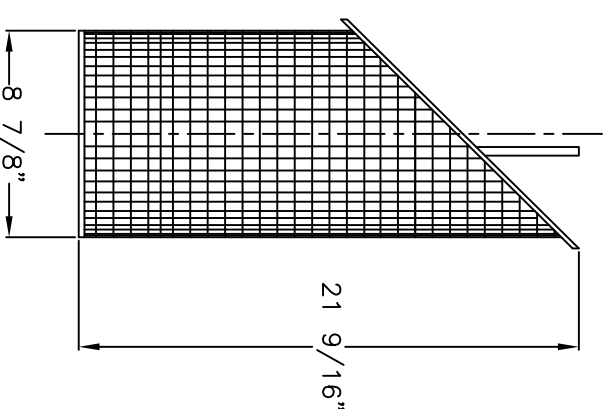
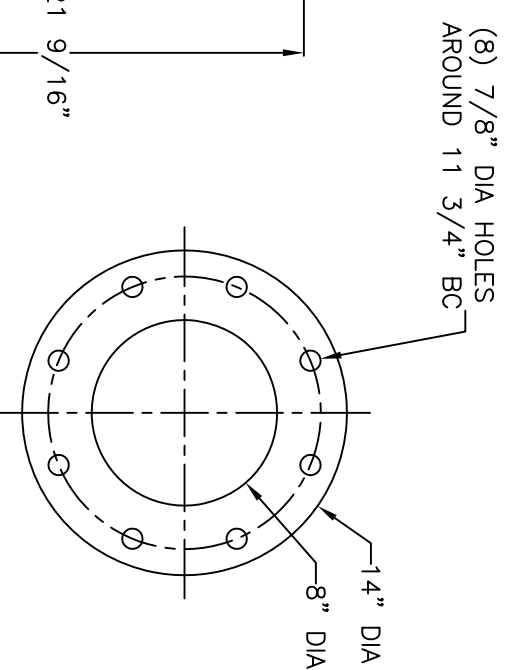
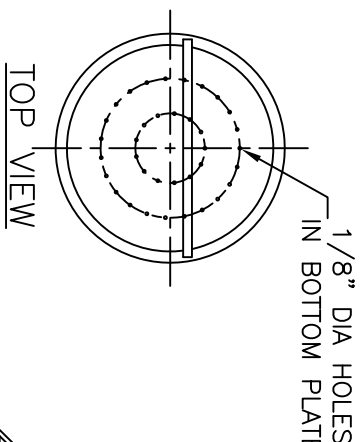
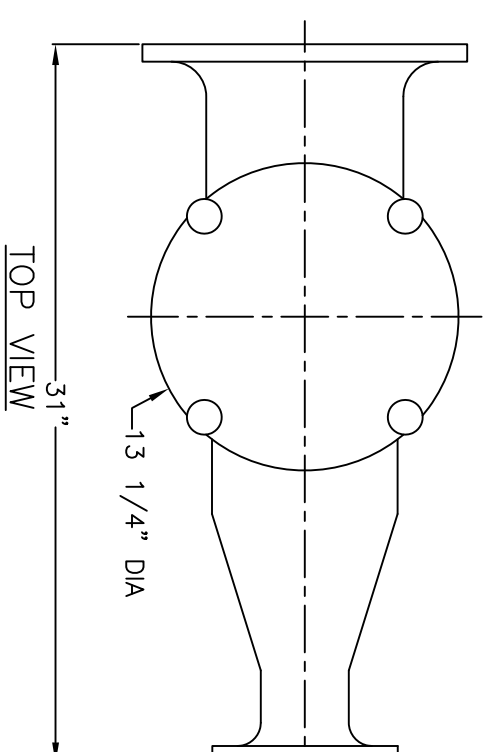


- NOTES
1. STRAINER BODY: FIBERGLASS CONSTRUCTION USING ISOPHTHALIC POLYESTER RESIN AND A .100" THK. CORROSION LINER USING ONE LAYER C GLASS AND TWO LAYERS CHOPPED STRAND MAT.
  2. LID: CLEAR ACRYLIC
  3. TOGGLE BOLTS: STAINLESS STEEL
  4. HAND KNOBS: FRP WITH STAINLESS STEEL INSERTS
  5. O-RING: ETHYLENE PROPYLENE
  6. BASKET: 316 STAINLESS STEEL WEDGE WIRE, 3/16" SQ. OPENING

INLET AND OUTLET FLANGES SHALL HAVE 150# ANSI STANDARD DRILL PATTERNS



CERTIFIED FOR PRODUCTION

BY: \_\_\_\_\_ DATE: \_\_\_\_\_  
MER-MADE, INC.

THIS DRAWING CONTAINS INFORMATION PROPRIETARY TO MER-MADE FILTER INCORPORATED. IT IS SLIGHTED IN CONFIDENCE AND IS TO BE RETURNED UPON REQUEST. NO PARTS OR SERVICES SHALL BE PROVIDED FOR THIS STRAINER WITHOUT THE WRITTEN AUTHORIZATION OF MER-MADE FILTER INCORPORATED.

TOLERANCES UNLESS OTHERWISE SPECIFIED

MACHINED DIMENSIONS:		FINISH:	125/
X.X	± .020	ANGLES:	± 2°
X.XX	± .010	RADI:	± .03
X.XXX	± .005		
FRACTIONAL DIMENSIONS:			
1/X	± 1/8		

REMOVE ALL BURRS AND BREAK ALL SHARP EDGES: .016 x 45°

REV	DESCRIPTION	DATE

**MER-MADE** PO BOX 306 DENMARK, SC 29042  
P:803-793-4263 F:803-793-4265

8" X 3" FO SERIES ECCENTRIC REDUCING BASKET STRAINER

SIZE	DWN BY:	SV	DWG NO.	M-0116
B	CHK BY:			
SCALE: NTS	DATE:	12/11/17	Sheet:	1 OF 1
REV	RO			