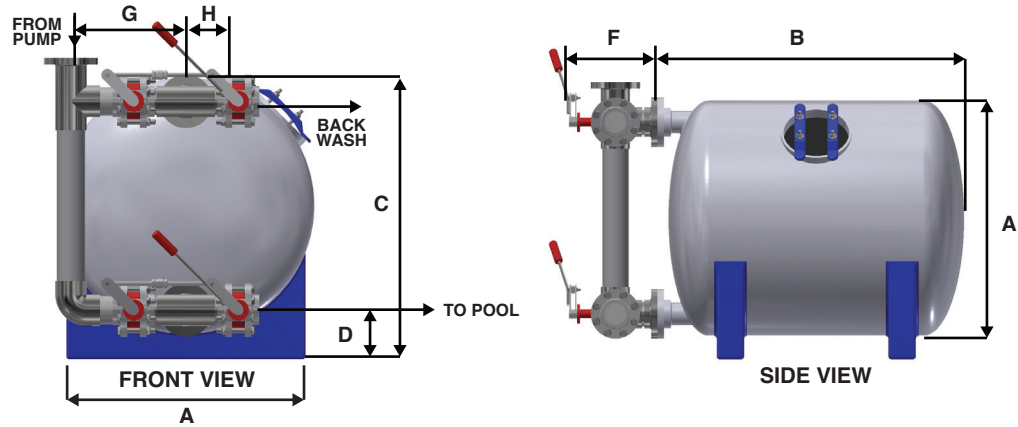


Single Tank

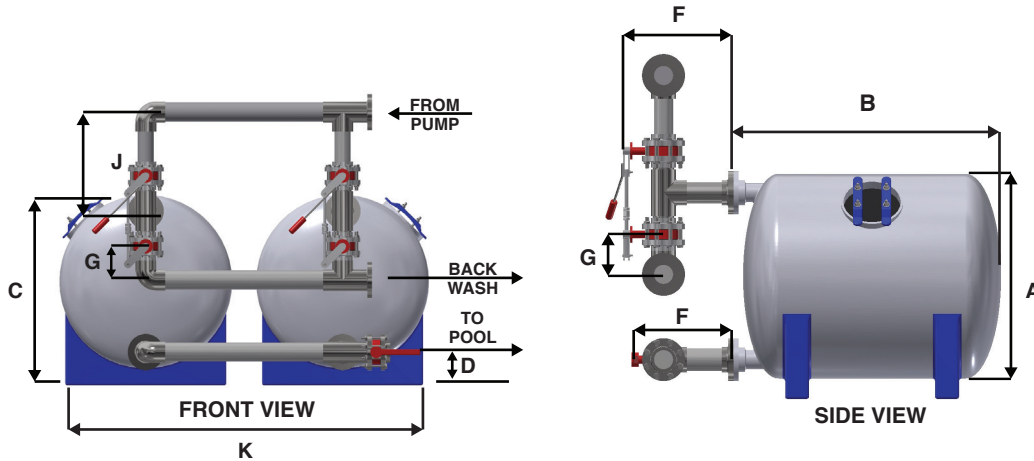
| Face Piping Dimensions (inches) | | | |
|---------------------------------|-------|-------|--------|
| Face Piping Size (inches) | | | |
| Mark | 4 | 6 | 8 |
| F | 17 | 20 | 24 |
| G | 22 | 28 | 37 |
| H | 6 1/8 | 8 1/8 | 10 3/8 |



Dual Tank Side By Side

| Face Piping Dimensions (inches) | | | | | | |
|---------------------------------|------|------|------|-----|------|------|
| Face Piping Size (inches) | | | | | | |
| Mark | 4x4 | 6x4 | 6x6 | 8x6 | 10x6 | 10x8 |
| F | 17 | 20 | 20 | 24 | 29 | 29 |
| G | 5.75 | 8 | 8 | 10 | 12 | 12 |
| J | 24 | 31.5 | 31.5 | 40 | 48.5 | 48.5 |

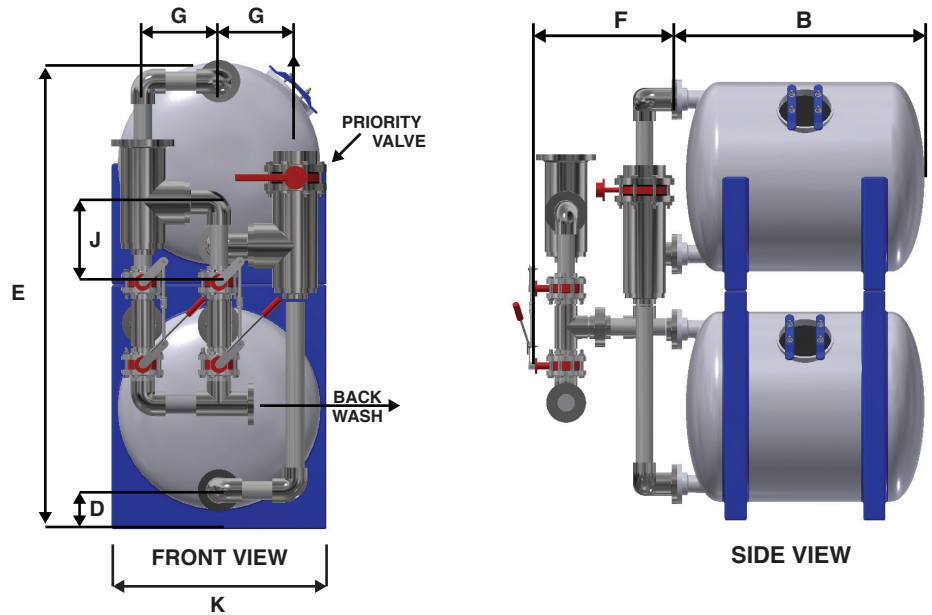
| K | | |
|-----|-----|-----|
| 132 | 143 | 160 |
| 74 | 94 | 131 |



Dual Tank Stacked

| Face Piping Dimensions (inches) | | | | | | |
|---------------------------------|--------|-----|-----|-----|------|------|
| Face Piping Size (inches) | | | | | | |
| Mark | 4x4 | 6x4 | 6x6 | 8x6 | 10x6 | 10x8 |
| F | 24 1/2 | 31 | 41 | 41 | 41 | 54 |
| G | 21 1/2 | 26 | 30 | 33 | 39 | 42 |
| J | 8 1/2 | 13 | 13 | 17 | 21 | 21 |

| K | | |
|-----|------|------|
| 132 | 143 | 160 |
| 39 | 47.5 | 64.5 |



Certified to NSF/ANSI Standard 50

rev.4 4/07/2020

DIMENSION AND CAPACITY DATA

| Filter Model Number | Tank Conn | Filter Area (SF) | Flow Capacity (GPM) | NSF verified Filter Rate | Tank Shipping | Operating Weight | All dimensions are in inches | | | | |
|---------------------|-----------|------------------|---------------------|--------------------------|---------------|------------------|------------------------------|-----|------|------|-----|
| | | | | | | | A | B | C | D | E |
| 132-52 | 4 | 10.0 | 140 | 14 | 350 | 2551 | 34 | 58 | 39 | 9.75 | 80 |
| 132-64 | 4 | 12.6 | 176 | 14 | 375 | 3101 | 34 | 69 | 39 | 9.75 | 80 |
| 132-74 | 4 | 15.9 | 223 | 14 | 400 | 3743 | 34 | 82 | 39 | 9.75 | 80 |
| 132-94 | 4 | 19.3 | 270 | 14 | 450 | 4518 | 34 | 99 | 39 | 9.75 | 80 |
| 132-114 | 4 | 23.7 | 332 | 14 | 500 | 5443 | 34 | 119 | 39 | 9.75 | 80 |
| 143-56 | 4 | 16.2 | 81-324 | 5-20 | 550 | 4409 | 44 | 62 | 53 | 12 | 101 |
| 143-71 | 4 | 20.8 | 104-416 | 5-20 | 600 | 5943 | 44 | 77 | 53 | 12 | 101 |
| 143-87 | 4 | 25.6 | 128-512 | 5-20 | 700 | 7027 | 44 | 94 | 53 | 12 | 101 |
| 143-105 | 6 | 31.0 | 155-620 | 5-20 | 800 | 8410 | 44 | 112 | 53 | 12 | 101 |
| 143-124 | 6 | 36.8 | 184-736 | 5-20 | 1100 | 10136 | 44 | 131 | 53 | 12 | 101 |
| 143-152 | 6 | 45.5 | 228-910 | 5-20 | 1250 | 12420 | 44 | 159 | 53 | 12 | 101 |
| 160-109 | 6 | 41.6 | 208-832 | 5-20 | 1750 | 17155 | 62.5 | 113 | 69.5 | 14.5 | 138 |
| 160-133 | 6 | 51.6 | 258-1032 | 5-20 | 2000 | 20890 | 62.5 | 137 | 69.5 | 14.5 | 138 |
| 160-157 | 8 | 61.6 | 308-1232 | 5-20 | 2200 | 24432 | 62.5 | 161 | 69.5 | 14.5 | 138 |
| 160-181 | 8 | 71.6 | 358-1432 | 5-20 | 2400 | 28117 | 62.5 | 185 | 69.5 | 14.5 | 138 |
| 160-205 | 8 | 81.6 | 408-1632 | 5-20 | 2650 | 31835 | 62.5 | 209 | 69.5 | 14.5 | 138 |

All weights in pounds

| Filter Model Number | 20-30 Sand | 6-20 Sand | 1/8 x 1/4 Stone | 1/4 x 1/2 Stone |
|---------------------|------------|-----------|-----------------|-----------------|
| 132-52 | 750 | 225 | 175 | 150 |
| 132-64 | 950 | 300 | 200 | 175 |
| 132-74 | 1200 | 350 | 300 | 200 |
| 132-94 | 1400 | 450 | 350 | 250 |
| 132-114 | 1750 | 525 | 400 | 350 |
| 143-56 | 1500 | 300 | 300 | 400 |
| 143-71 | 2000 | 500 | 500 | 500 |
| 143-87 | 2500 | 600 | 600 | 600 |
| 143-105 | 3000 | 700 | 700 | 700 |
| 143-124 | 3600 | 800 | 800 | 900 |
| 143-152 | 4500 | 1000 | 1000 | 1100 |
| 160-109 | 5300 | 1200 | 1000 | 1400 |
| 160-133 | 6500 | 1600 | 1300 | 1700 |
| 160-157 | 7700 | 1800 | 1500 | 1900 |
| 160-181 | 8900 | 2100 | 1800 | 2200 |
| 160-205 | 10100 | 2400 | 2000 | 2500 |

Note: Filters NSF approved with laterals, available upon request. NSF Glass media also available upon request

Mer-Made filters are designed, built, and tested to exceed NSF/ANSI Standard 50 specifications for fiberglass pressure vessels with a safety factor of 4:1.

Customization of vessels beyond NSF certification parameters is available upon request.

Tank shipping weight includes manifold & internals.



Certified to NSF/ANSI Standard 50

rev.4 4/07/2020