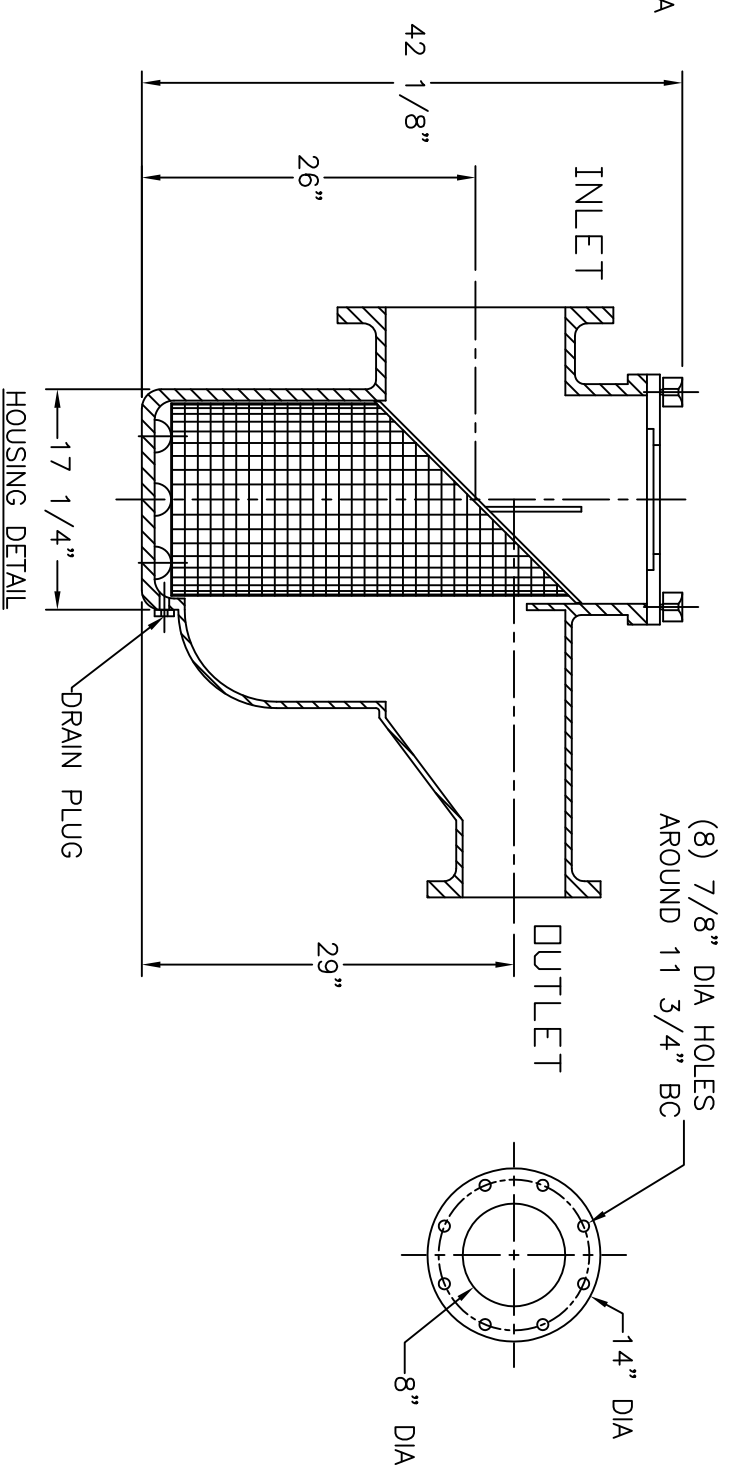
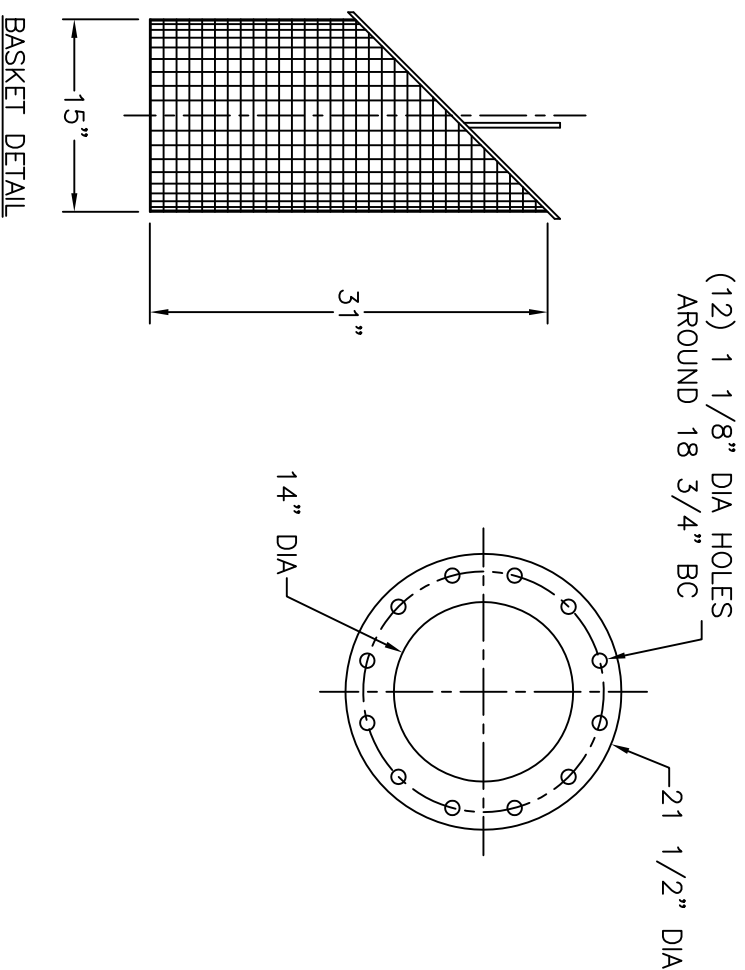
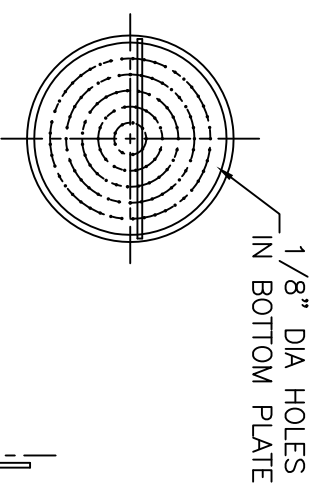
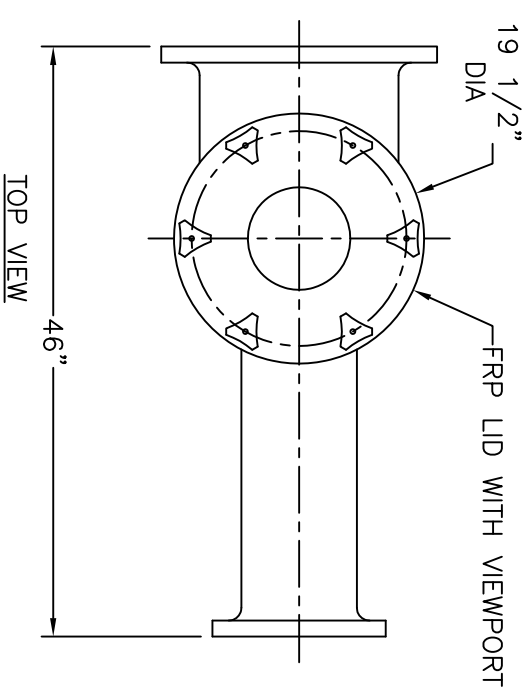


- NOTES**
- STRAINER BODY: FIBERGLASS CONSTRUCTION USING ISOPHTHALIC POLYESTER RESIN AND A .100" THK. CORROSION LINER USING ONE LAYER C GLASS AND TWO LAYERS CHOPPED STRAND MAT.
 - LID: FRP WITH ACRYLIC VIEWPORT
 - TOGGLE BOLTS: STAINLESS STEEL
 - HAND KNOBS: ABS WITH BRASS INSERTS
 - O-RING: ETHYLENE PROPYLENE
 - BASKET: 316 STAINLESS STEEL WEDGE WIRE, 3/16" SQUARE OPENING

-INLET AND OUTLET FLANGES SHALL HAVE 150# ANSI STANDARD DRILL PATTERNS



CERTIFIED FOR PRODUCTION

BY: _____ DATE: _____

MER-MADE, INC.

THIS DRAWING CONTAINS INFORMATION PROPRIETARY TO MER-MADE FILTER INCORPORATED. IT IS SUBMITTED IN CONFIDENCE AND IS TO BE RETURNED UPON REQUEST. THIS DRAWING AND SPECIFICATIONS SHALL NOT BE REPRODUCED, COPIED, OR TRANSMITTED IN ANY MANNER WITHOUT THE WRITTEN AUTHORIZATION OF MER-MADE FILTER INCORPORATED.

TOLERANCES UNLESS OTHERWISE SPECIFIED

MACHINED DIMENSIONS:

XX ±.020 FINISH: 125/
XXX ±.010 ANGLES: ±Z'
X:XXX ±.005 RADII: ±.05

FRACTIONAL DIMENSIONS:

1/X ±1/8

REMOVE ALL BURRS AND BREAK ALL SHARP EDGES: .016 x 45°

| REV | DESCRIPTION | DATE |
|-----|-------------|------|
| | | |
| | | |
| | | |

MER-MADE
PO BOX 306
DENMARK, SC 29042
P:803-793-4263 F:803-793-4265

14" x 8" FO STYLE ECCENTRIC
REDUCING BASKET STRAINER

SIZE B DWN BY: SJV DWG NO. M-0216
CHK BY: _____

SCALE: NTS DATE: 05/21/20 Sheet: 1 OF 1