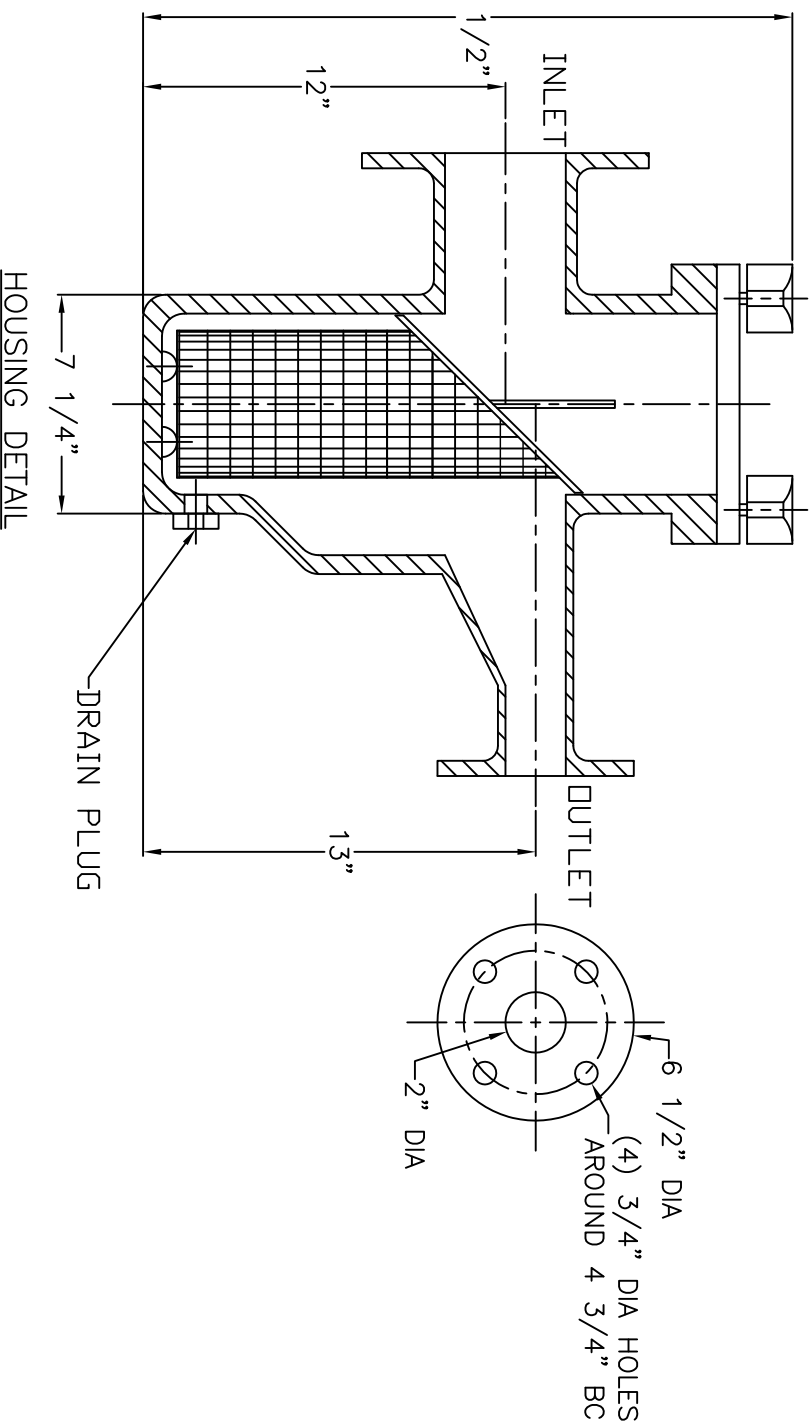
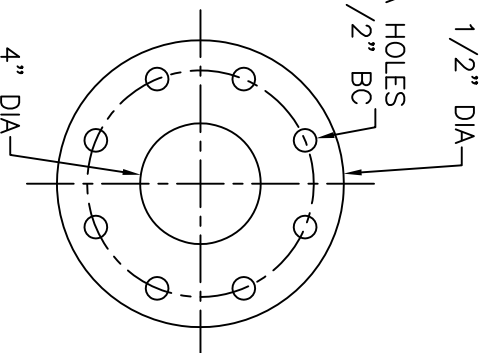
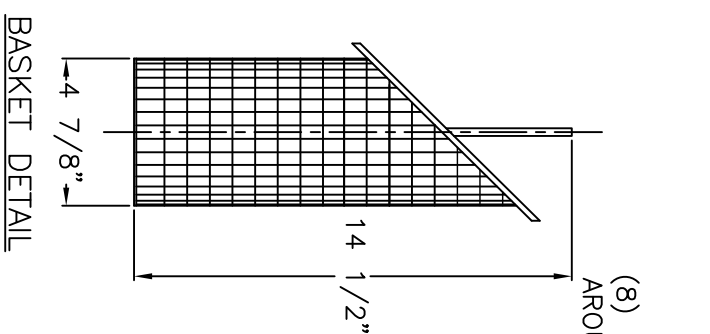
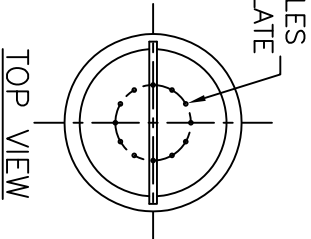
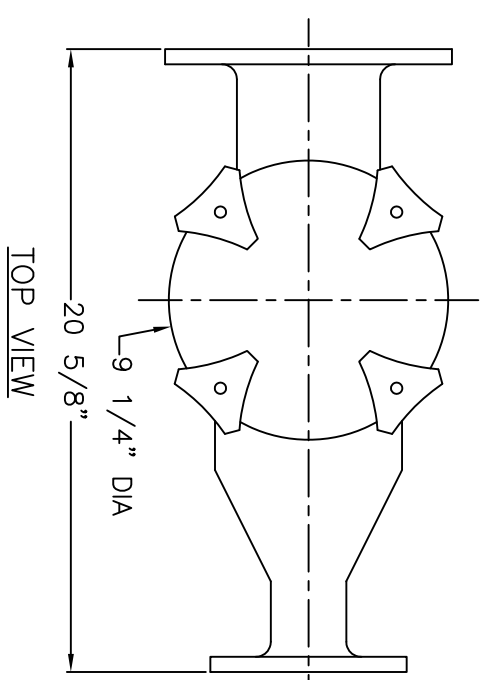


**NOTES**

1. STRAINER BODY: FIBERGLASS CONSTRUCTION USING ISOPHTHALIC POLYESTER RESIN AND A .100" THK. CORROSION LINER USING ONE LAYER C GLASS AND TWO LAYERS CHOPPED STRAND MAT.
2. LID: CLEAR ACRYLIC
3. TOGGLE BOLTS: STAINLESS STEEL
4. HAND KNOBS: ABS WITH BRASS INSERTS
5. O-RING: ETHYLENE PROPYLENE
6. BASKET: 316 STAINLESS STEEL WEDGE WIRE, 3/16" SQ. OPENING

-INLET AND OUTLET FLANGES SHALL HAVE 150# ANSI STANDARD DRILL PATTERNS



CERTIFIED FOR PRODUCTION

BY: \_\_\_\_\_ DATE: \_\_\_\_\_

MER-MADE, INC.

THIS DRAWING CONTAINS PROPRIETARY INFORMATION TO MER-MADE FILTER INCORPORATED. IT IS LOANED IN CONFIDENCE AND IS TO BE RETURNED FOR THE PURPOSE FOR WHICH IT IS LOANED AND IS NOT TO BE REPRODUCED, COPIED, TRANSMITTED OR USED FOR ANY OTHER PURPOSE WITHOUT THE WRITTEN AUTHORIZATION OF MER-MADE FILTER INCORPORATED.

TOLERANCES UNLESS OTHERWISE SPECIFIED

MACHINED DIMENSIONS:

X.X ±.020 FINISH: 125/

X.XX ±.010 ANGLES: ±.2°

X.XXX ±.005 RADIUS: ±.03

FRACTIONAL DIMENSIONS:

1/X ± 1/8

REMOVE ALL BURRS AND BREAK ALL SHARP EDGES: .016 x 45°

REV	DESCRIPTION	DATE

**MER-MADE** PO BOX 306 DENMARK, SC 29042 P:803-793-4263 F:803-793-4265

4" X 2" ECCENTRIC REDUCING  
FO SERIES STRAINER

SIZE: B DWN BY: SVJ DWG NO. M-0104  
CHK BY: \_\_\_\_\_

SCALE: NTS DATE: 11/15/17 Sheet: 1 OF 1

REV	RO
-----	----