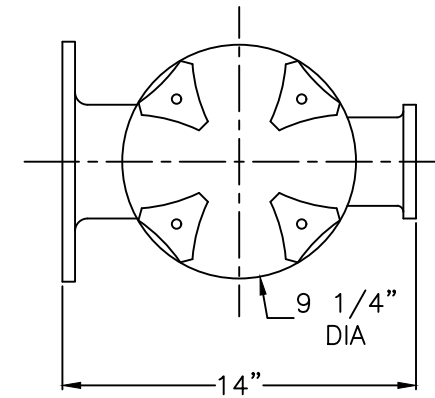


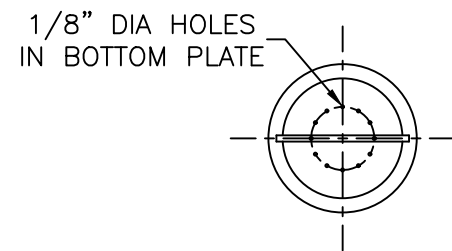
**NOTES**

1. STRAINER BODY: FIBERGLASS CONSTRUCTION USING ISOPHTHALIC POLYESTER RESIN AND A .100" THK. CORROSION LINER USING ONE LAYER C GLASS AND TWO LAYERS CHOPPED STRAND MAT.
2. LID: CLEAR ACRYLIC
3. TOGGLE BOLTS: STAINLESS STEEL
4. HAND KNOBS: ABS WITH STAINLESS STEEL INSERTS
5. O-RING: ETHYLENE PROPYLENE
6. BASKET: 316 STAINLESS STEEL WEDGE WIRE, 3/16" SQ. OPENING

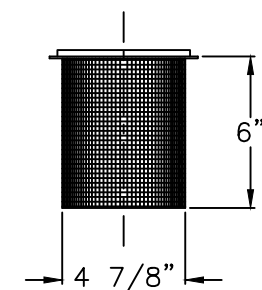
-INLET AND OUTLET FLANGES SHALL HAVE 150# ANSI STANDARD DRILL PATTERNS



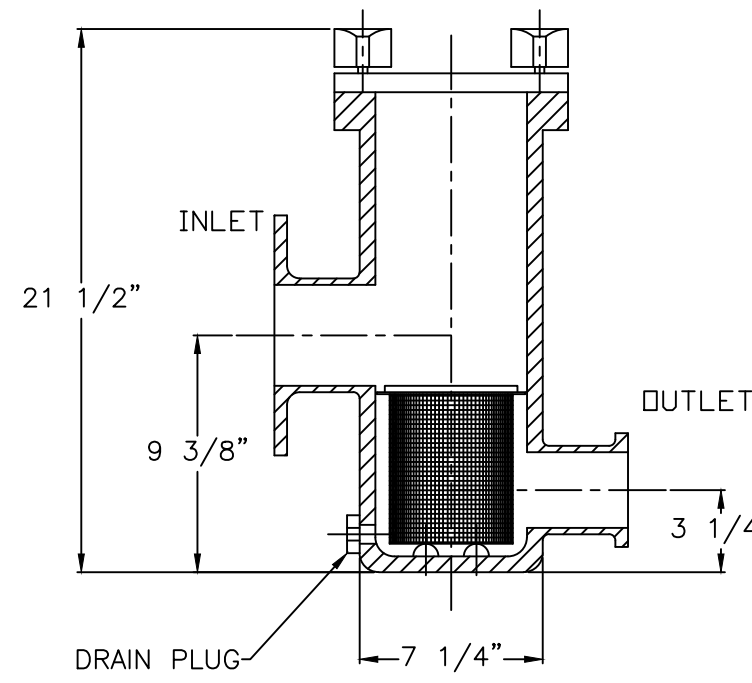
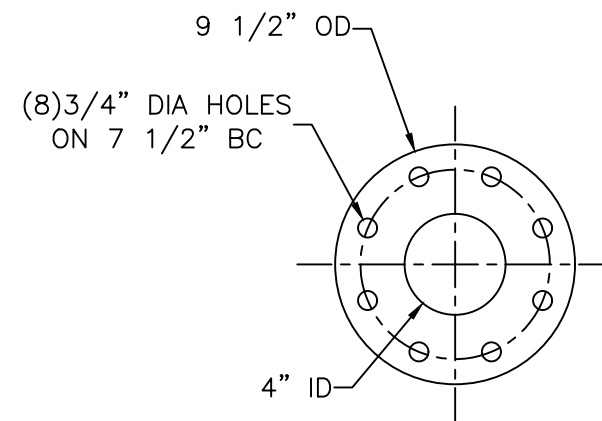
TOP VIEW



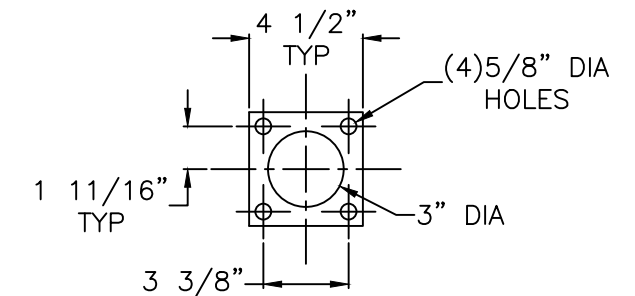
TOP VIEW



BASKET DETAIL



HOUSING DETAIL



CERTIFIED FOR PRODUCTION  BY: _____ DATE: _____  MER-MADE, INC.	TOLERANCES UNLESS OTHERWISE SPECIFIED  MACHINED DIMENSIONS: X.X ±.020 FINISH: 125/ X.XX ±.010 ANGLES: ±2° X.XXX ±.005 RADII: ±.03		<b>MER-MADE</b> PO BOX 306 DENMARK, SC 29042 P:803-793-4263 F:803-793-4265
FRACTIONAL DIMENSIONS: 1/X ±1/8  REMOVE ALL BURRS AND BREAK ALL SHARP EDGES: .016 x 45°			4" STA-RITE PKG 98 D-SERIES STRAINER
<small>THIS DRAWING CONTAINS INFORMATION PROPRIETARY TO MER-MADE FILTER INCORPORATED. IT IS SUBMITTED IN CONFIDENCE AND IS TO BE USED SOLELY FOR THE PURPOSE FOR WHICH IT IS FURNISHED AND IS TO BE RETURNED UPON REQUEST. THIS DRAWING AND SUCH INFORMATION IS NOT TO BE REPRODUCED, TRANSMITTED, DISCLOSED, OR USED OTHERWISE IN WHOLE OR IN PART WITHOUT THE WRITTEN AUTHORIZATION OF MER-MADE FILTER INCORPORATED.</small>			SIZE: B    DWN BY: SJV    DWG NO. M-0219    REV R0 CHK BY:
	REV	DESCRIPTION	DATE
			SCALE: NTS    DATE: 12/01/20    Sheet: 1 OF 1