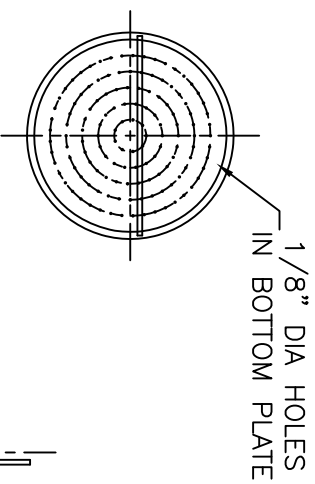
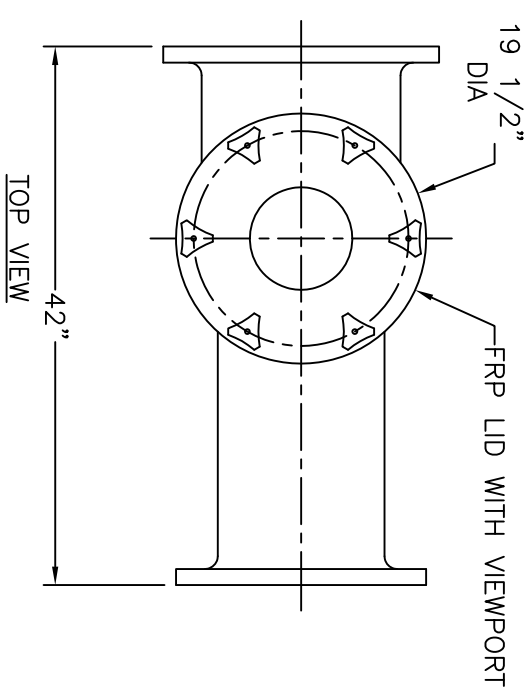


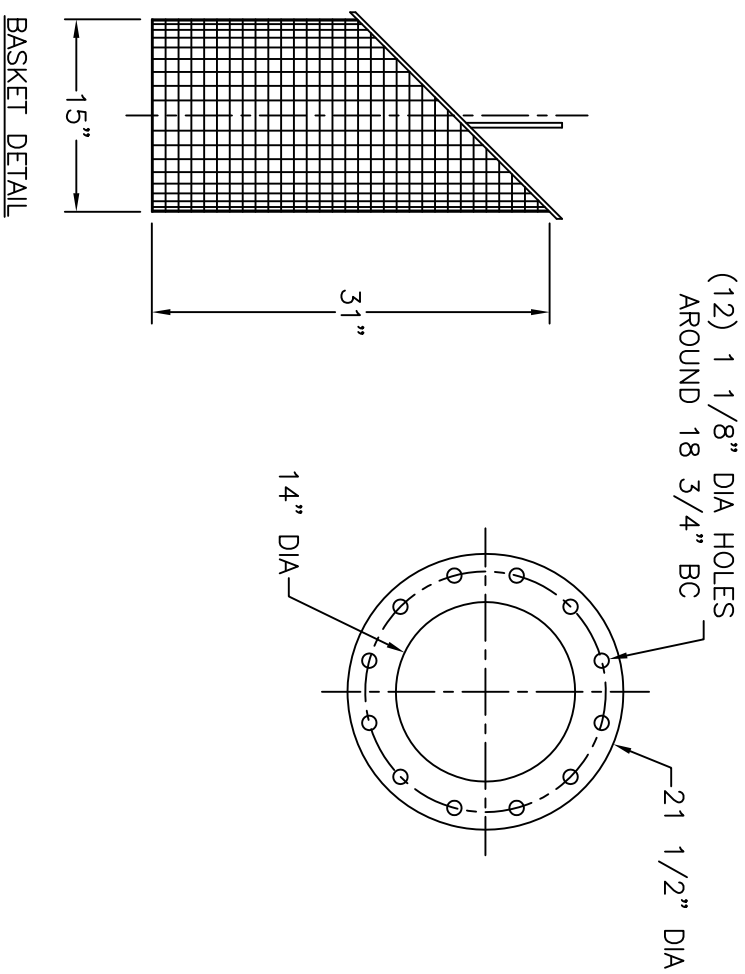
**NOTES**

1. STRAINER BODY: FIBERGLASS CONSTRUCTION USING ISOPHTHALIC POLYESTER RESIN AND A .100" THK. CORROSION LINER USING ONE LAYER C GLASS AND TWO LAYERS CHOPPED STRAND MAT.
2. LID: FRP WITH ACRYLIC VIEWPORT
3. TOGGLE BOLTS: STAINLESS STEEL
4. HAND KNOBS: ABS WITH BRASS INSERTS
5. O-RING: ETHYLENE PROPYLENE
6. BASKET: 316 STAINLESS STEEL WEDGE WIRE, 3/16" SQUARE OPENING

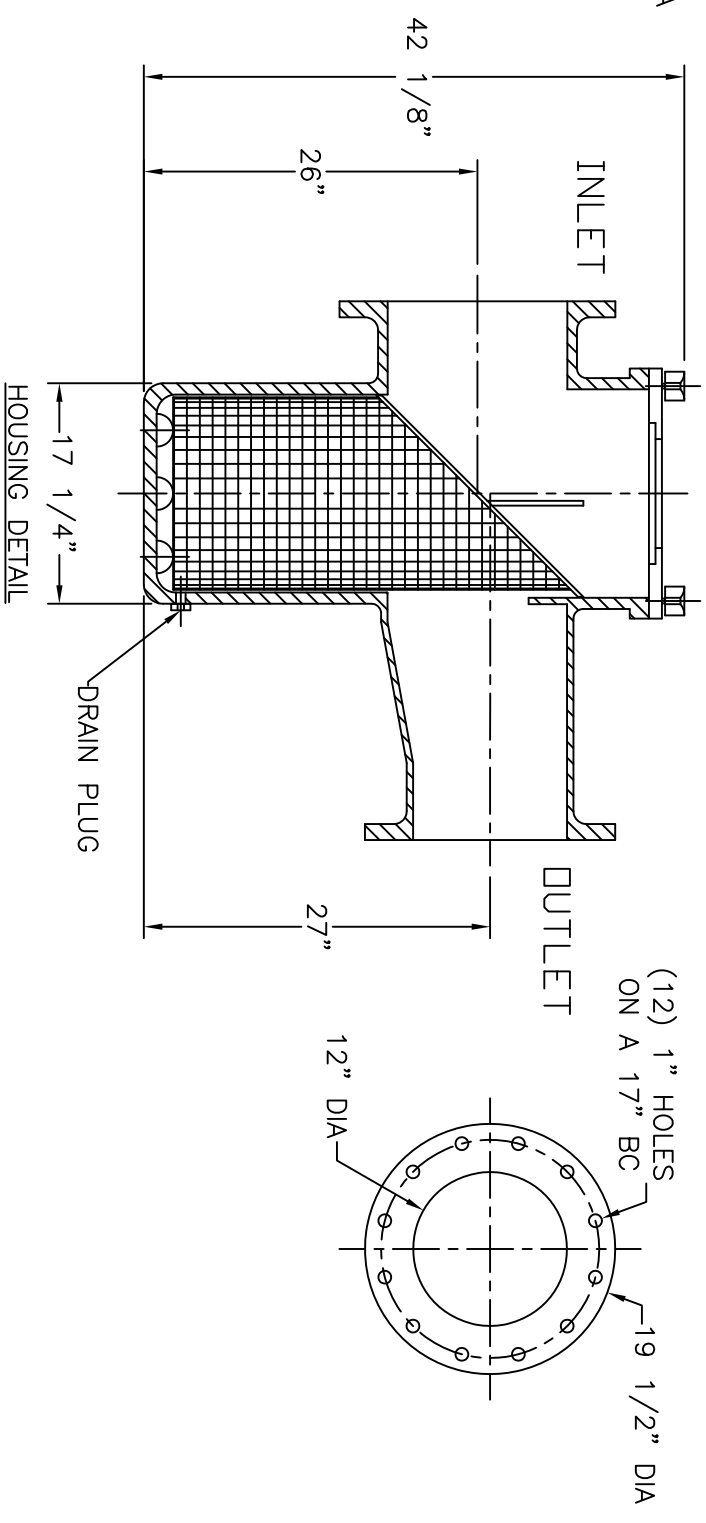
-INLET AND OUTLET FLANGES SHALL HAVE 150# ANSI STANDARD DRILL PATTERNS



TOP VIEW



BASKET DETAIL



INLET

OUTLET

HOUSING DETAIL

DRAIN PLUG

CERTIFIED FOR PRODUCTION	
BY: _____	DATE: _____
MER-MADE, INC.	

THIS DRAWING CONTAINS INFORMATION PROPRIETARY TO MER-MADE FILTER INCORPORATED. IT IS SUBMITTED IN CONFIDENCE AND IS TO BE RETURNED UPON REQUEST. THIS DRAWING AND SPECIFICATIONS ARE NOT TO BE REPRODUCED, COPIED, OR TRANSMITTED IN ANY FORM OR BY ANY MEANS WITHOUT THE WRITTEN AUTHORIZATION OF MER-MADE FILTER INCORPORATED.

TOLERANCES UNLESS OTHERWISE SPECIFIED	
MACHINED DIMENSIONS:	
XX	±.020
XXX	±.010
X:XXX	±.005
FRACTIONAL DIMENSIONS:	
1/X	± 1/8
FINISH: 125/	
ANGLES: ±2°	
RADI: ±.03	

REMOVE ALL BURRS AND BREAK ALL SHARP EDGES: .016 x 45°

REV	DESCRIPTION	DATE

**MER-MADE** PO BOX 306  
DENMARK, SC 29042  
P:803-793-4263 F:803-793-4265

14" X 12" T-STYLE ECCENTRIC  
REDUCING BASKET STRAINER

SIZE: B	DWN BY: SJV	DWG NO. M-0202	REV: R0
SCALE: NTS	DATE: 05/21/20	Sheet: 1 OF 1	